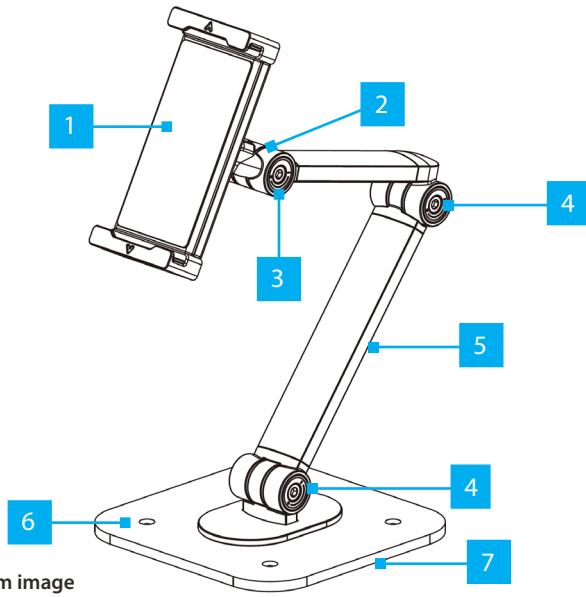


Universal Tablet Desk Stand - White

Product Diagram (ADJ-TABLET-STAND-W)

Front View



*Product may vary from image

| Component | Function |
|--------------------------------------|---|
| 1 Clamp | <ul style="list-style-type: none"> For up to 12.9 in Tablets. Holders on either side support the Tablet in place Width range from 5 to 8 in (12.8 to 22.4 cm) Maximum thickness 0.4 in (1.1 cm) Allow to rotate 360°, up and down, and side to side |
| 2 Rotation Adjustment Knob | <ul style="list-style-type: none"> Varies the Rotation resistance of the Clamp or fixes it on a specific position |
| 3 Clamp Tilt Adjustment Screw | <ul style="list-style-type: none"> Adjust the Resistance of the Tilt Angle of the Clamp |
| 4 Support Arm Tilt Adjustment Screws | <ul style="list-style-type: none"> Adjust the Resistance of the Tilt Angle of the Upper and Lower sections of the Support Arm |
| 5 Support Arm | <ul style="list-style-type: none"> Supports the weight of the Tablet and provides Height and Tilt Adjustment |
| 6 Mounting Holes | <ul style="list-style-type: none"> Allow to fix the Tablet Stand on a permanent location |
| 7 Base | <ul style="list-style-type: none"> Supports the Assembly in place. Foam Pads at the bottom protect the desk or table surface |

Package Contents

- Tablet Stand x 1
- 4.2x19 mm Wood Screws x 4
- 3 mm Hex Key x 1
- 5 mm Hex Key x 1
- Quick-Start Guide x 1

Requirements

For the latest manuals, product information, technical specifications, and declarations of conformance, please visit: www.startech.com/ADJ-TABLET-STAND-W

- Phillips head screwdriver

Operation

WARNINGS!

Do not exceed the weight capacity of this product. Overloading this product might result in injury or property damage. This product can support the following weight: up to 2.2 lb (1 kg).

When adjusting the tilt or height of this product, ensure that the mounted equipment is properly secured and the weight is fully supported. Failure to follow these guidelines may result in property damage and/or personal injury.

When not fixed to a surface, always use two hands to ensure a controlled movement when adjusting the height or tilt angle of this product to prevent tipping it over.

Is recommended to remove any protective case from the Tablet to fit properly on the Holders.

1. Slide the **HOLDERS** outwards to make enough room to mount the **Tablet Vertically** on the **Clamp** . If the **Tablet** is **Small** enough, it can be mounted **Horizontally** too.

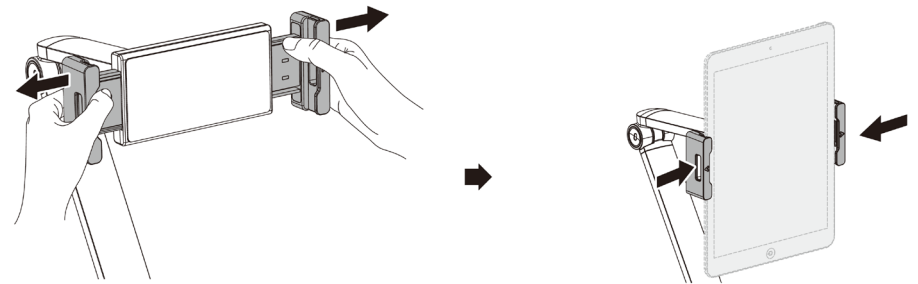


Figure 1

2. Insert one side of the **Tablet** on one of the **Holders**. Keep **Supporting** the weight of the **Tablet**.
3. Slide **Inwards** the remaining **Holder** to secure the **Table** in place. Figure 1.

Adjust the Rotation Resistance of the Clamp

1. Rotate **Clockwise** to **Tighten** the **Resistance Knob** at the back of the **Clamp**. The right resistance allows the **Clamp** to rotate 360°, up and down, and side to side while keeping its position when the **Tablet** is in use.

Adjust the Tension of the Clamp Tilt

1. Use the **5 mm Hex Key** and rotate **Clockwise** to **Increase** the **Resistance**. The right **Resistance** allows the **Clamp** to rotate up and down while keeping its position when the **Tablet** is in use.

Adjust the Tension of the Support Arm Tilt

1. Use the **5 mm Hex Key** to tune one or two of the **Support Arm Tilt Adjustment Screws**. Rotate **Clockwise** to **Increase** the **Resistance**.

Attach the Tablet Stand to a Desk

May need pilot holes before mounting the Tablet Stand.

The supplied Wood Screws may not be suitable if they are longer than the thickness of the mounting surface.

1. Insert the **4.2x19 mm Wood Screws** (x 4) onto the **Mounting Holes** (x 4) on the **Base**.
2. Use a **Phillips Head Screwdriver** to fasten the **4.2x19 mm Wood Screws** to the **Desk** or **Table**.

(Optional) Secure the Support Arm onto the Base

1. If the **Screws** at the bottom of the **Base** come loose, use the **3 mm Hex Key** to **Tighten** them. Rotate **Clockwise** to **Tighten**.

Use of Trademarks, Registered Trademarks, and other Protected Names and Symbols

This manual may make reference to trademarks, registered trademarks, and other protected names and/or symbols of third-party companies not related in any way to StarTech.com. Where they occur these references are for illustrative purposes only and do not represent an endorsement of a product or service by StarTech.com, or an endorsement of the product(s) to which this manual applies by the third-party company in question. StarTech.com hereby acknowledges that all trademarks, registered trademarks, service marks, and other protected names and/or symbols contained in this manual and related documents are the property of their respective holders.

Warranty Information

This product is backed by a 5-year warranty. For further information on product warranty terms and conditions, please refer to www.startech.com/warranty.

Limitation of Liability

In no event shall the liability of StarTech.com Ltd. and StarTech.com USA LLP (or their officers, directors, employees or agents) for any damages (whether direct or indirect, special, punitive, incidental, consequential, or otherwise), loss of profits, loss of business, or any pecuniary loss, arising out of or related to the use of the product exceed the actual price paid for the product. Some states do not allow the exclusion or limitation of incidental or consequential damages. If such laws apply, the limitations or exclusions contained in this statement may not apply to you.

Safety Measures

- Read the entire manual and ensure the instructions are fully understood before assembling and/or using this product.

Mesures de sécurité

- Lisez tout le manuel et assurez-vous que vous comprenez les instructions avant de commencer à assembler et utiliser ce produit.

安全対策

- 最初に取扱説明書を最後まで読み、本製品の組み立て方をすべて理解してから組み立て作業を始めて下さい。

Misure di sicurezza

- Leggere l'intero manuale e assicurarsi di aver compreso tutte le istruzioni prima di iniziare ad assemblare e a utilizzare questo prodotto.

Säkerhetsåtgärder

- Läs hela manualen och se till att du förstår instruktionerna innan du börjar montera och använda produkten.

StarTech.com Ltd.
45 Artisans Crescent
London, Ontario
N5V 5E9
Canada

StarTech.com LLP
4490 South Hamilton
Road
Groveport, Ohio
43125
U.S.A.

StarTech.com Ltd.
Unit B, Pinnacle 15
Gowerton Road
Brackmills,
Northampton
NN4 7BW
United Kingdom

StarTech.com Ltd.
Siriusdreef 17-27
2132 WT Hoofddorp
The Netherlands

FR: startech.com/fr
DE: startech.com/de
ES: startech.com/es
NL: startech.com/nl
IT: startech.com/it
JP: startech.com/jp