



# FUSION S

GAMING CHAIR

## ASSEMBLY DRAWING

部件图示, 部件圖示



Fusion SF Pillow

## COMFORTABLE MULTI-PURPOSE GAMING CHAIR

办公电竞两用设计 适合各种场合, 辦公電競兩用設計 適合各種場合

FUSION S is designed with a medium size, ergonomics and gaming-style look to give you a comfortable experience at play and work. Improve productivity during the daytime and increase battle power during the night, it is an excellent chair for different purposes!

FUSION S 兼具电竞与办公椅两用设计, 适中的尺寸结构、人体工学设计与游戏风格外观, 无论工作、休闲或娱乐时乘坐都感到舒适自在, 白天提升工作效率, 晚上强化游戏战力, 一椅多用的最佳选择!

FUSION S 兼具电竞与办公椅两用设计, 适中的尺寸结构、人体工学设计与游戏风格外观, 无论工作、休闲或娱乐时乘坐都感到舒适自在, 白天提升工作效率, 晚上强化游戏战力, 一椅多用的最佳选择!

## FEATURES 产品特点, 產品特點

### ENGLISH

- Built-in 3D Curved Lumbar Support
- Multi-density Cushioned Seat
- Backrest Reclining Up to 130°
- Gas Lift Height Adjustment
- Head and Lumbar Pillows
- 5 Star Metal Base
- Weight Limit: 120kg

### ESPAÑOL

- Soporte lumbar curvo tridimensional
- Asiento acolchado multi-densidad
- Respaldo reclinable hasta 130°
- Ajuste de la altura del elevador a gas
- Reposacabezas y almohada lumbar
- Base de metal de 5 estrellas
- Peso Máximo: 120kg

### PORTUGUÊS

- Suporte Lombar Curvo 3D Embutido
- Assento almofadado multi-densidade
- Encosto Reclinado Até 130°
- Ajuste da altura com pistão a gás
- Almofadas de cabeça e lombar
- Base Metal 5 Estrelas
- Peso Máximo: 120kg

### KOREAN

- 내장형 3D 곡선형 요추 지지대
- 다중 밀도 쿠션 시트
- 등받이 기울기 최대 130°
- 가스 리프트 높이 조정
- 머리 및 요추 베개
- 5성 금속 베이스
- 무게 제한: 120kg

### 簡中

- 立体式腰部支撑
- 多层次缓冲坐垫
- 椅背倾斜度: 最大为130°
- 椅座高低可调式设计
- 配备头枕及腰枕
- 坚固耐用的金属椅脚
- 最大可承重 120kg

### DEUTSCH

- Eingebaute 3D gebogene Lordosenstütze
- Gepolsterter Sitz mit mehreren Dichten
- Rückenlehne um bis zu 130° neigbar
- Gasheber-Höhenverstellung
- Kopf- und Lendenkissen
- 5-Sterne-Metallbasis
- Gewichtsbeschränkung: 120 kg

### FRANÇAIS

- Support lombaire incurvé 3D intégré
- Siège rembourré multi-densité
- Dossier inclinable jusqu'à 130°
- Réglage de la hauteur du vérin à gaz
- Oreillers pour la tête et les lombaires
- Base en métal 5 étoiles
- Limite de poids : 120 kg

### RUSSIAN

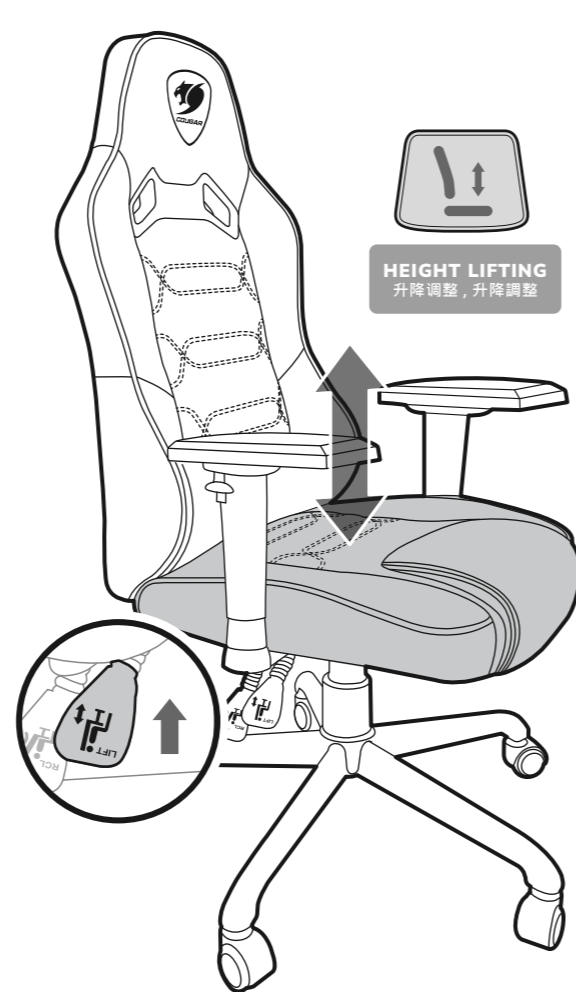
- Встроенная 3D изогнутая поясничная опора
- Многослойное мягкое сиденье
- Откидывание спинки до 130°
- Регулировка высоты газлифта
- Подушки для головы и поясницы
- 5-звездочная металлическая основа
- Ограничение по весу: 120 кг

### 日本語

- 3D立体構造で腰部部分にフィットします
- 高密度シートクッション
- 130°クライニング
- 座面の高さを調節可能
- 頭部部分と腰部部分にピロ-を付属
- スチール製ホールベース
- 耐荷重: 120kg

### 繁中

- 立體式腰部支撐
- 多層次緩衝坐墊
- 椅背傾斜度: 最大為130°
- 椅座高低可調式設計
- 配備頭枕及腰枕
- 堅固耐用的金屬椅腳
- 最大可承重 120kg



HEIGHT LIFTING  
升降調整, 升降調整

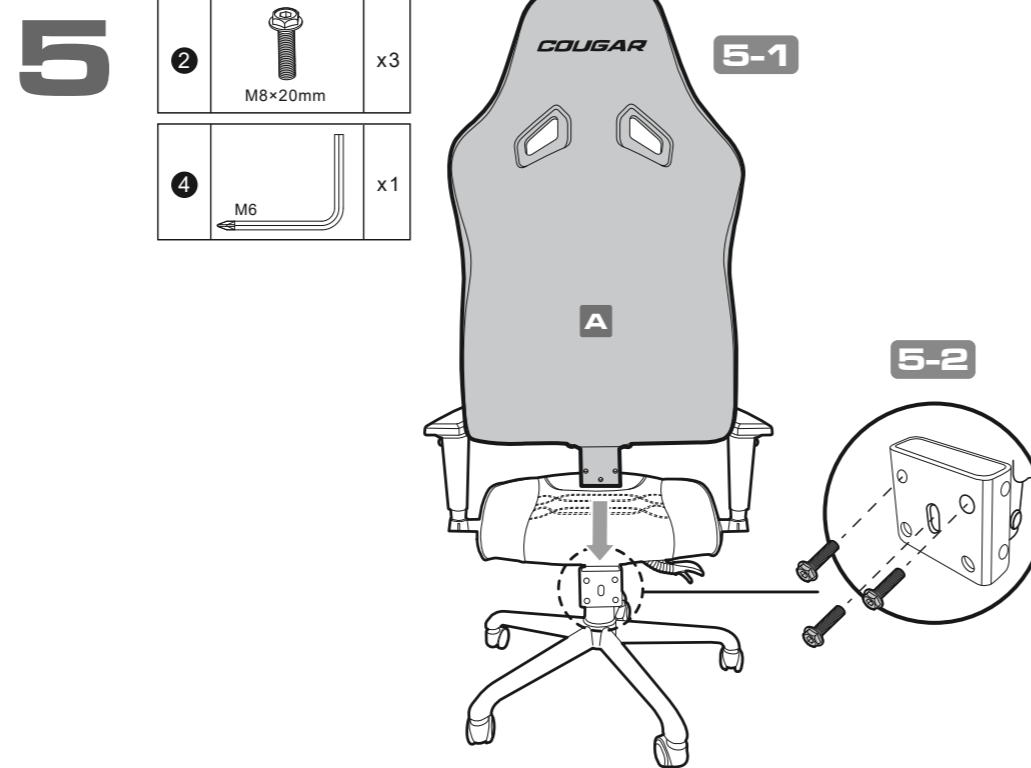
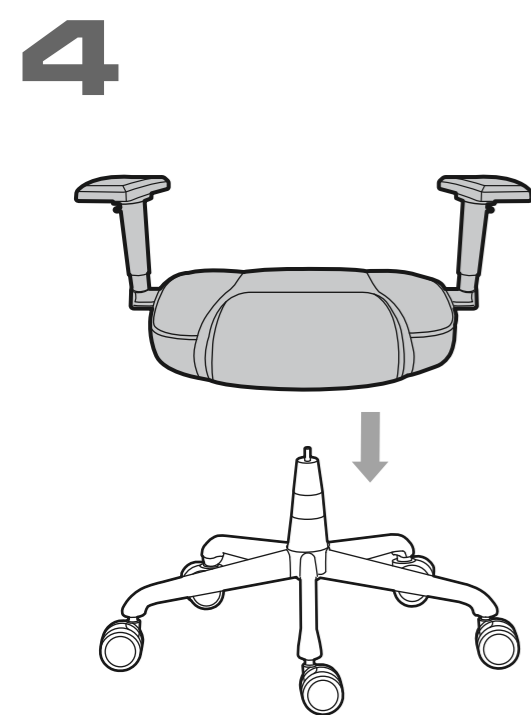
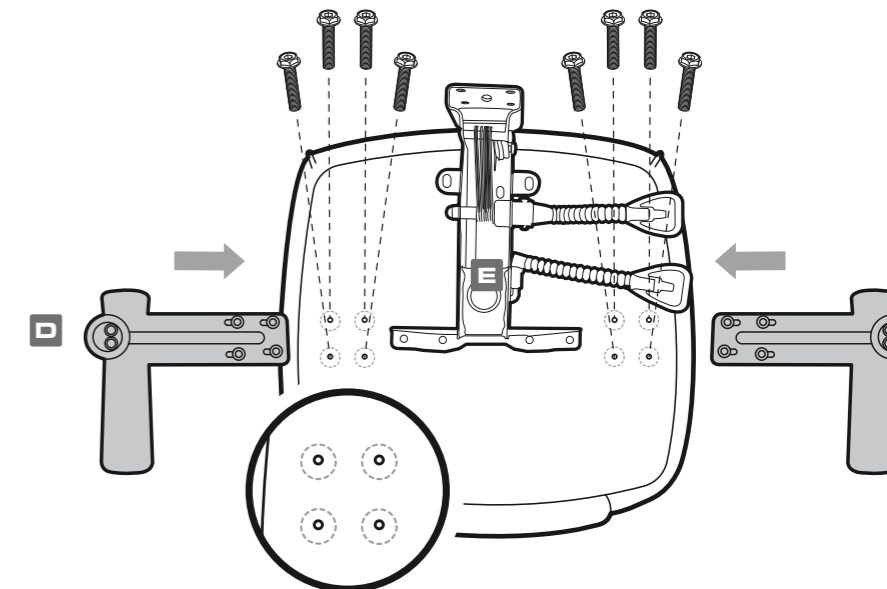
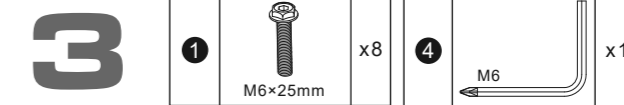
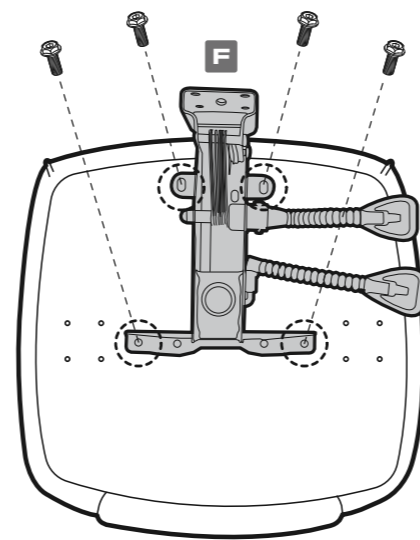
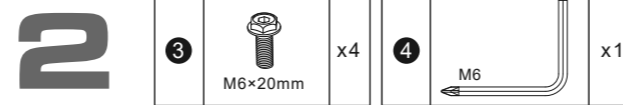
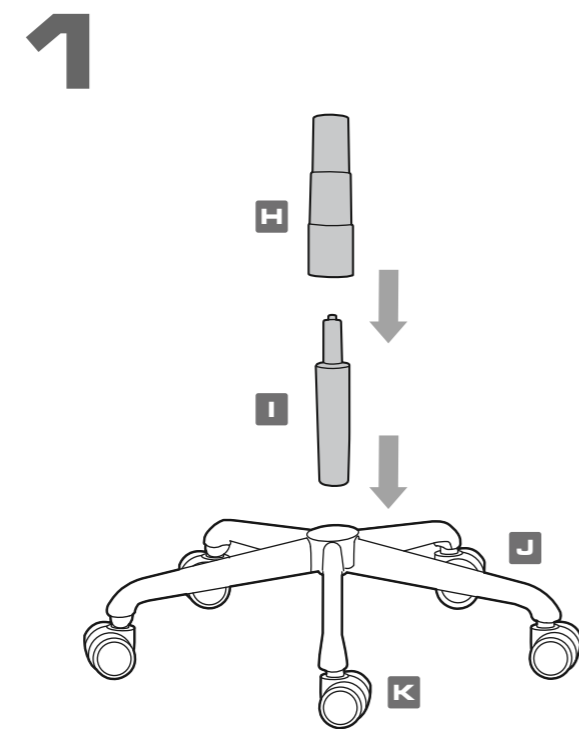


ANGLE ADJUSTOR  
傾斜調整, 傾斜調整



Get straps through the chair back and seat to fix the pillow.  
將繩扣穿過椅背與坐墊的縫隙。  
將繩扣穿過椅背與坐墊的縫隙。

<b>1</b>	<b>2</b>	<b>3</b>
M6x25mm	M8x20mm	M6x20mm
x8	x3	x4
<b>4</b>		
M6		
x1		



**MANUFACTURER CONTACT**

制造商联系方式, 製造商聯繫方式



www.cougargaming.com COUGAR USA Technical Service  
Tel: (833) 256-3778  
Mail: rma@compucaseusa.com

Compucase Enterprise Co., Ltd.  
All rights reserved. Made in China



Official website

Maximum stationary weight capacity 120kg. Please do not place any body or object above 120kg on this chair.

本产品最大承受重量120公斤, 请勿将120公斤以上的身体或物体放在椅子上。  
本產品最大承受重量120公斤, 請勿將120公斤以上的身體或物體放在椅子上。

**DISTRIBUTOR**



**ДАТА ИЗГОТОВЛЕНИЯ ПРОДУКЦИИ**

год и месяц изготовления продукции указаны в серийном номере продукта. (существует 2 способа определения даты изготовления, оба способа описаны ниже)

**A** После S/N: первые две цифры означают год, вторые две – месяц изготовления. Например, S/N: H1702000001 означает, что товар был произведен в феврале 2017 года.

**B** После S/N: если указаны буквы, то две буквы представляют цифры из таблицы ниже, и означают год, последующие две цифры – месяц изготовления. Например, S/N: DAG02REVI000001 означает, что товар был произведен в феврале 2017 года.

A	B	C	D	E	F	G	H	I	J
1	2	3	4	5	6	7	8	9	0

• Например, AG = 17 = 2017 год



www.cougargaming.com

facebook.com/cougargaming  
youtube.com/user/COUGARGLOBAL

REAL GEAR FOR REAL GAMERS

**GLOBAL WARRANTY POLICY 全球保固政策, 全球保固條款**

**WARRANTY PERIODS OF COUGAR GAMING DEVICES**

Product : COUGAR FUSION S GAMING CHAIR

Warranty : Please refer to our official website.

(<https://cougargaming.com/us/support/warranty/>)

保固政策: 中国地区购买, 请参考中国地区官方网站。

(<http://cougargaming.com.cn/support/warranty/>)



詳細保固條件  
請掃描QR Code

This warranty gives you specific legal rights. You may also have other rights granted under local law. These rights may vary.

**WARRANTY AGREEMENT**

- If the product has defects in material or manufacture, COUGAR will provide product repair and replacement service within the warranty period.
- Our warranty service is based on the date of the invoice or warranty card.

**CONDITIONS WHERE FREE MAINTENANCE IS NOT PROVIDED**

- Any fault or damage caused by natural disasters (including storm, fire, flood, thunder, earthquake, etc).
- Any fault or damage caused by accidental factors and man-made reasons (including hit, scrape, crash, moving, compression, stain, corrosion, riot, misuse, malicious damage, etc).
- Use in an improper operating environment (including high temperature, high humidity, water inflow, etc).
- Inability to provide the product warranty card, purchase receipt or invoice to prove the product is still within the warranty period and the shipping date of the product is out of warranty.
- The warranty card has been altered or its number is hard to identify.
- The warranty period has expired.

- Any fault or damage caused by non-compliance with regulations stated on the user manual or improper, rough and careless treatment.
- Any fault or damage caused by use of parts not certified by COUGAR original manufacturer.
- The problem is caused by improper repair or adjustment by the buyer or any manufacturer without authorization from COUGAR.
- The product is not acquired from an authorized distributor of the company or is acquired from illicit sources.
- Paper carton, instruction and other accessories are not warranted.

**DISCLAIMERS**

- COUGAR products should not be used as critical components in life support devices.
- COUGAR is not liable for any damage of life and limb or damage or loss of property caused by or during COUGAR products' use as or with medical equipment, military equipment, traffic equipment and disaster prevention systems.
- COUGAR's warranty liability is limited to repair or replacement. The decision on whether to repair or replace belongs exclusively to COUGAR.
- COUGAR is, to the extent not prohibited by law, not liable for any damages; expenses; lost data, revenues, savings or profits; or any incidental or consequential damages happened while the use of a defective product from COUGAR or due to its use.

**LEGAL NOTICES**

This manual was created by Compucase Enterprise and may not be completely or partially copied, passed on, distributed or stored without written consent by Compucase Enterprise. COUGAR® is a registered brand of Compucase Enterprise. Other product and company names mentioned in this documentation may be brands or trademarks of their respective owners. Compucase Enterprise reserves the right to make changes concerning the contents of the manual and the technical data of the product without previous announcement.

**WARNING**

- To adjust the chair height, gently pull the lever up. Do not use excessive force to pull the lever.
- Please wear protective gloves when assembling the chair. It is your own responsibility to use appropriate protection to prevent any physical damage.
- When rocking the chair, using it in any other way or adjusting the height, inclination, position or balance of the chair or any of its components, please:
- Pay attention to your hand's position and keep it away from spaces in which it could get caught or be injured.
- Do not make fast or violent movements.
- (when the chair is in movement) do not touch any of the chair's adjustment controls to prevent affecting its stability and causing a potentially dangerous fall.
- (when reclining the chair to its full extent) set the related control level in lock position and keep both feet on the ground, as well as abstain from any violent, rough or strong movement which could cause the chair to tip over.
- Keep in mind that this chair is designed only for sitting and reclining, and that it should be used only for those uses.
- Do not sit on the edge of the chair or the arm rests.
- Do not place the chair in a location in which it is likely to be subjected to prolonged sunlight exposure.
- The product's colors might fade when exposed to sunlight.
- Do not use abrasive products or scrub energetically when cleaning. Please stick to gentle products suitable for delicate materials.
- All parts should be checked monthly to confirm their integrity and to make sure that the screws are not loose.
- If any part of the product is or appears to be damaged, missing or loose, please contact the local distributor and do not use the product.