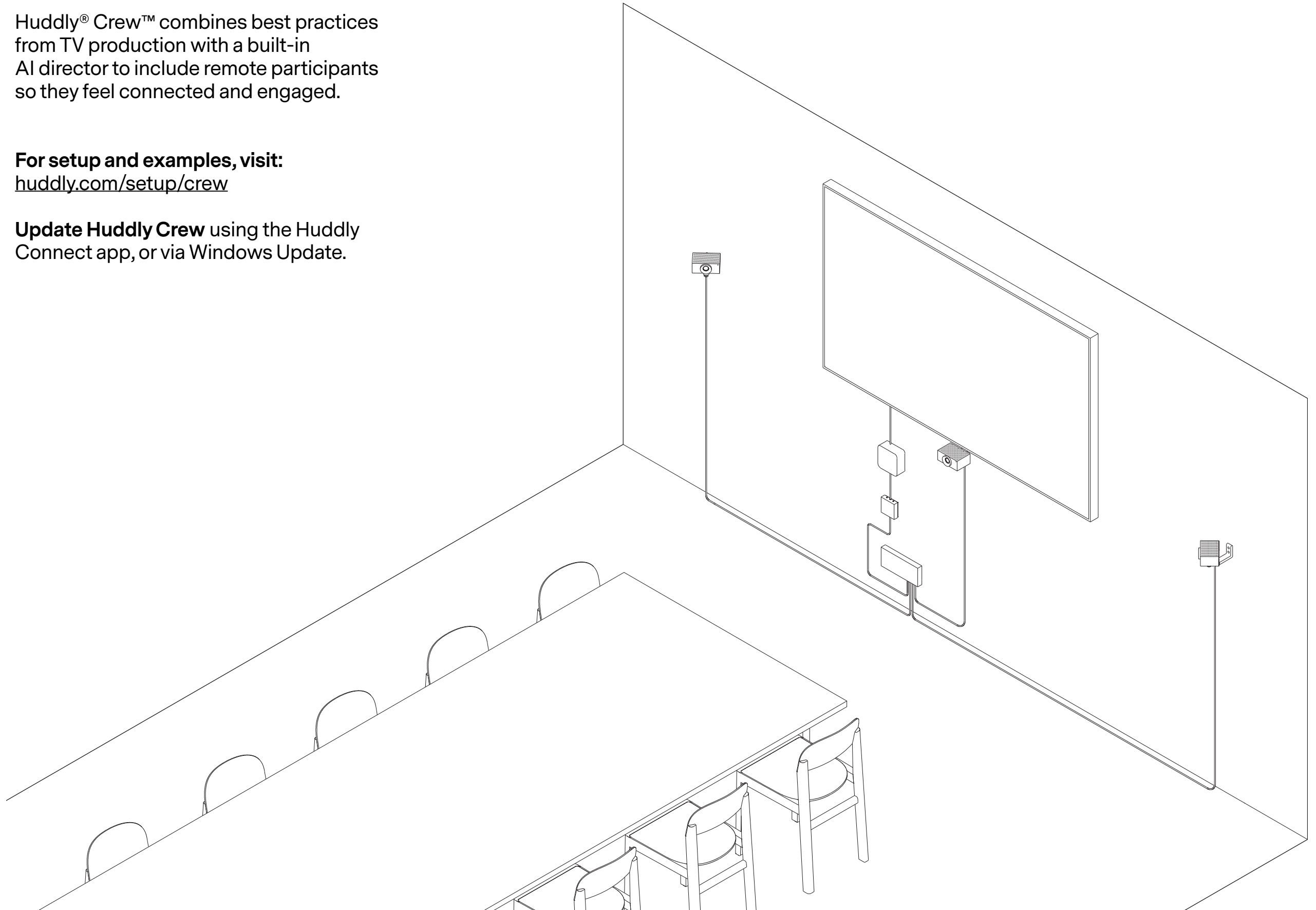


# Hi there!

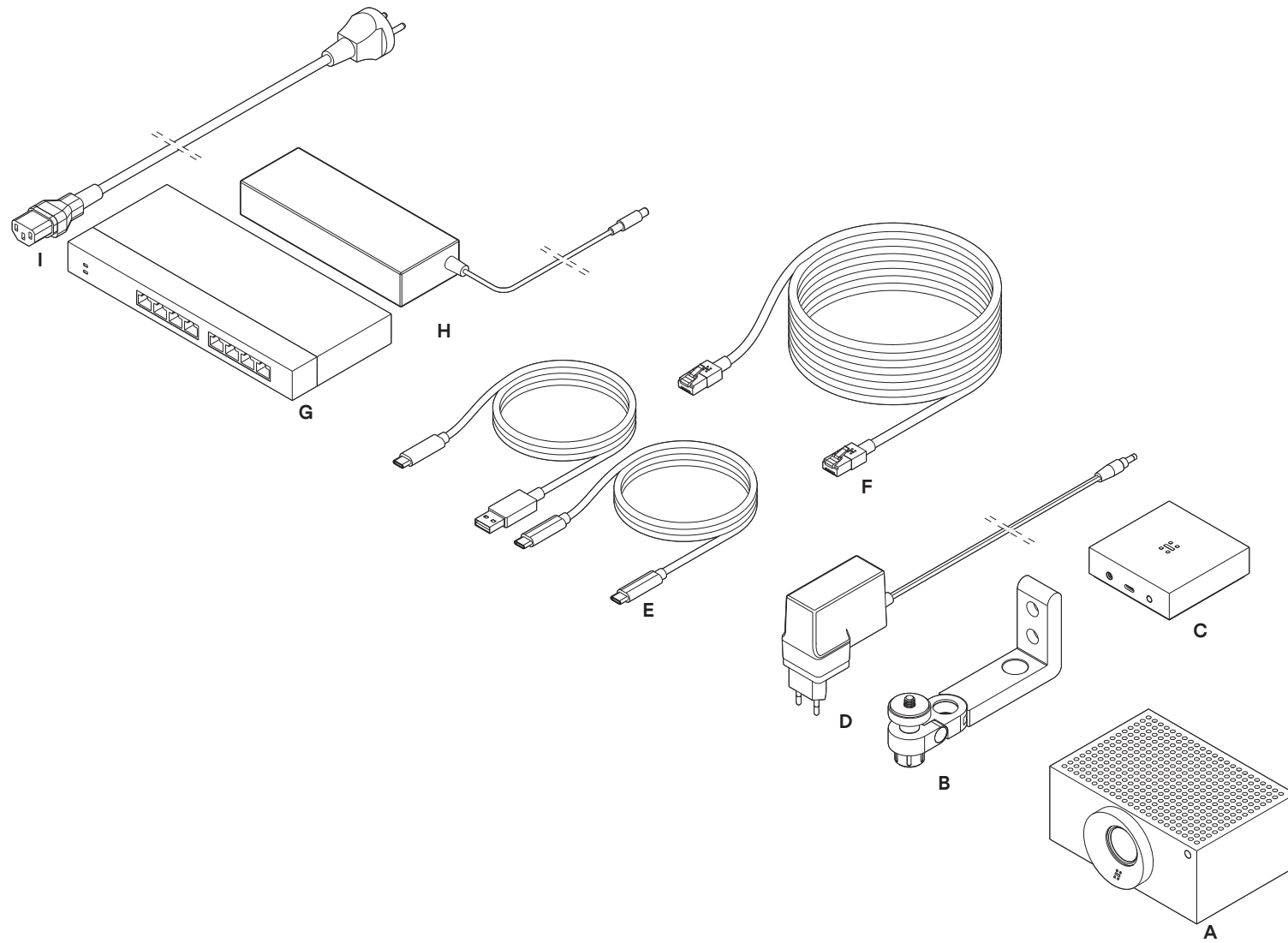
Huddly® Crew™ combines best practices from TV production with a built-in AI director to include remote participants so they feel connected and engaged.

**For setup and examples, visit:**  
[huddly.com/setup/crew](https://huddly.com/setup/crew)

**Update Huddly Crew** using the Huddly Connect app, or via Windows Update.



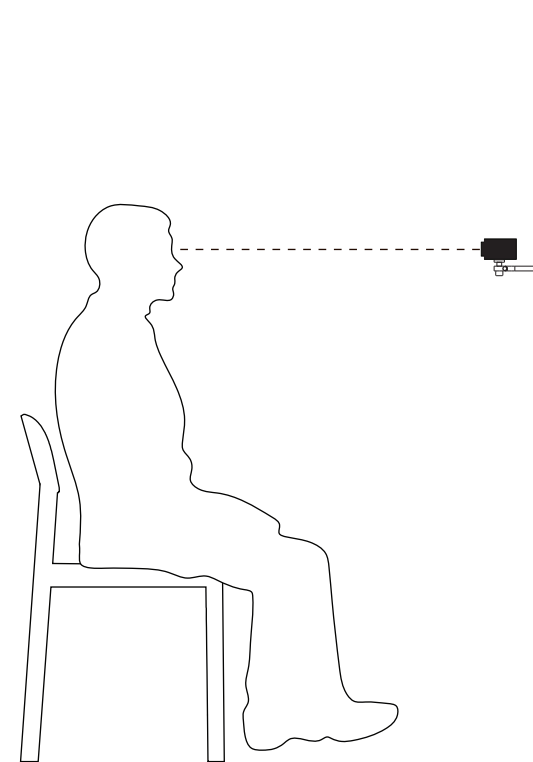
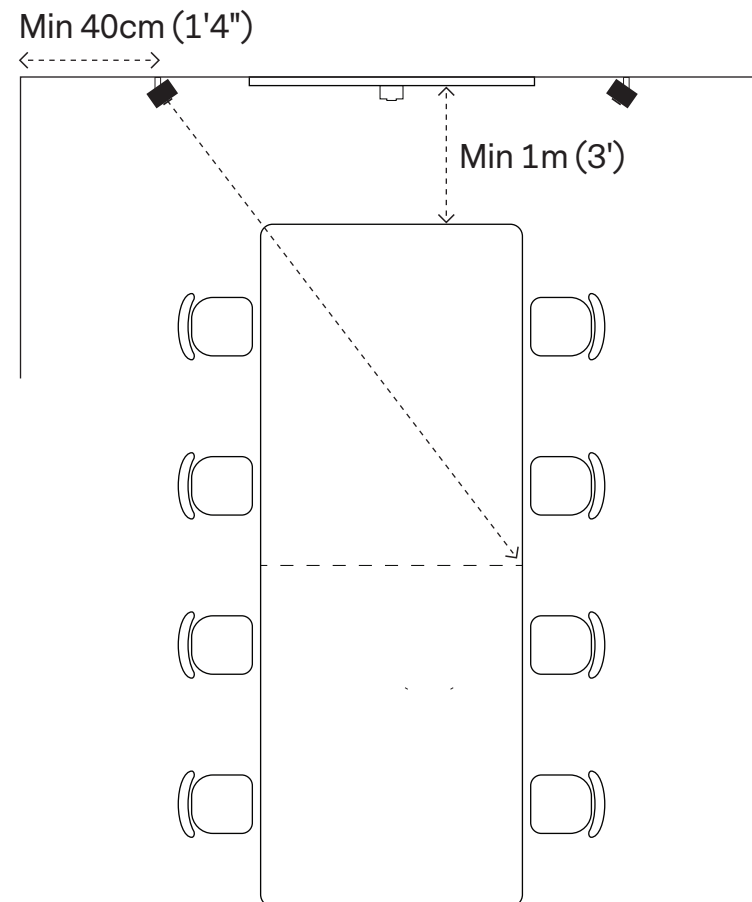
# 1. Get an overview



	Item	Quantity
A	Huddly L1	3
B	Wall Mount	3
C	USB Adapter	1
D	Power Adapter & Regional Plugs	1
E	USB C-C & USB A-C Cable	1
F	Ethernet Cable, 3m	4
G	Ethernet Switch	1
H	Power Adapter	1
I	Regional Power Cable	4

## 2. How to mount side cameras

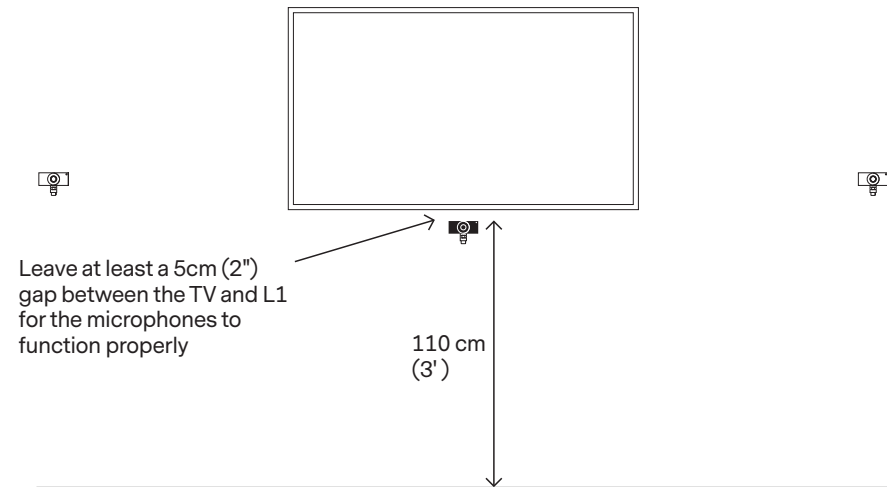
For instructions on installing additional Huddly Crew L1 cameras, visit: [huddly.com/setup/crew](https://huddly.com/setup/crew)



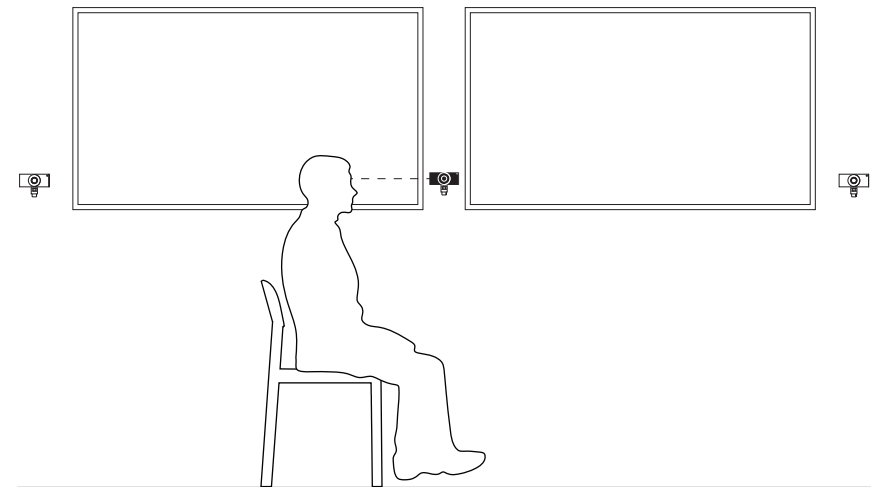
Point camera through table corner to center edge of table

### 3. Position of center camera

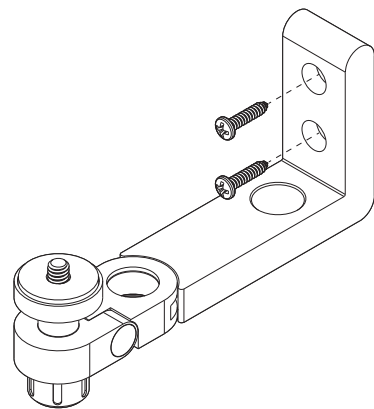
#### Single screen



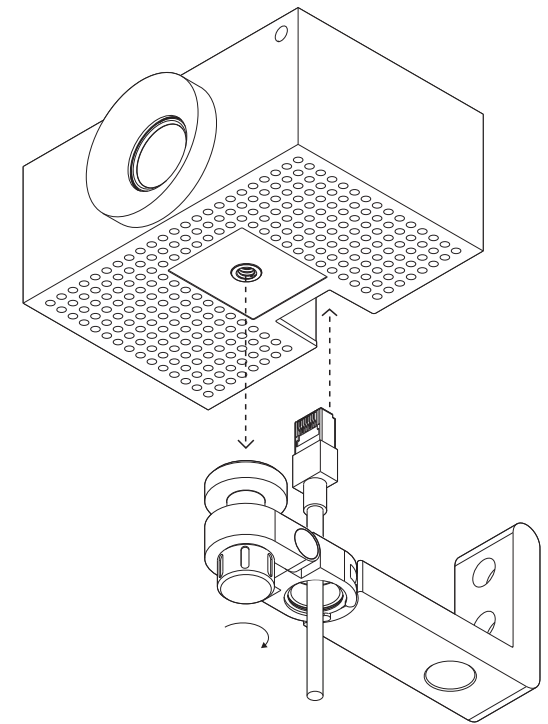
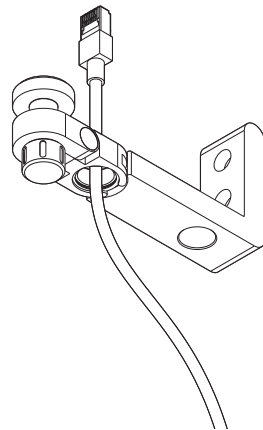
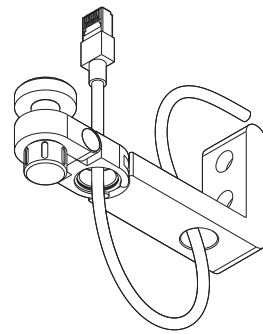
#### ...or dual screen



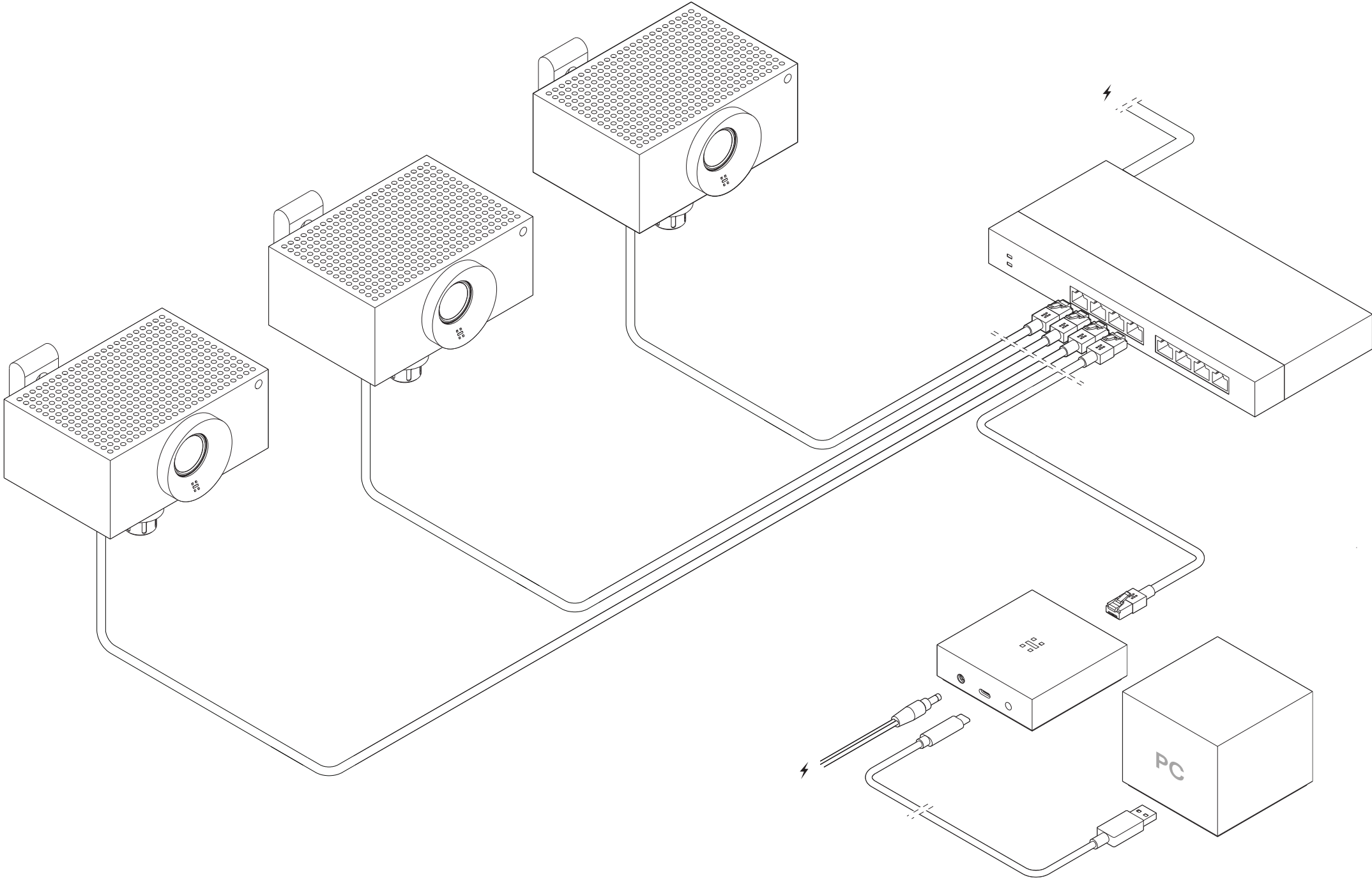
### 4. Mounting & cabling



5 mm  
#10



# 5. Connect



## 6. Test the setup

# Start a call!

For more info about Huddly Crew:  
[www.huddly.com/setup/crew](http://www.huddly.com/setup/crew)



Please consult [www.huddly.com/compliance](http://www.huddly.com/compliance) to find regulatory and other useful information relevant to this product. Information on the electrical plug options is found here too. Make sure to use the correct electrical plug for your region.

Products covered by intellectual property rights, including patents. [www.huddly.com/IPR](http://www.huddly.com/IPR)



For updates you can use Windows Update or the Huddly Connect app: [huddly.com/app](http://huddly.com/app)

Model ID: S3K003  
HD-PGDE-0187-A7