

E13863



ROG
SWIFT
PG38UQ

USER GUIDE

ASUS

First Edition
May, 2023

Copyright © 2023 ASUSTeK COMPUTER INC. All Rights Reserved.

No part of this manual, including the products and software described in it, may be reproduced, transmitted, transcribed, stored in a retrieval system, or translated into any language in any form or by any means, except documentation kept by the purchaser for backup purposes, without the express written permission of ASUSTeK COMPUTER INC. ("ASUS").

Product warranty or service will not be extended if: (1) the product is repaired, modified or altered, unless such repair, modification or alteration is authorized in writing by ASUS; or (2) the serial number of the product is defaced or missing.

ASUS PROVIDES THIS MANUAL "AS IS" WITHOUT WARRANTY OF ANY KIND, EITHER EXPRESS OR IMPLIED, INCLUDING BUT NOT LIMITED TO THE IMPLIED WARRANTIES OR CONDITIONS OF MERCHANTABILITY OR FITNESS FOR A PARTICULAR PURPOSE. IN NO EVENT SHALL ASUS, ITS DIRECTORS, OFFICERS, EMPLOYEES OR AGENTS BE LIABLE FOR ANY INDIRECT, SPECIAL, INCIDENTAL, OR CONSEQUENTIAL DAMAGES (INCLUDING DAMAGES FOR LOSS OF PROFITS, LOSS OF BUSINESS, LOSS OF USE OR DATA, INTERRUPTION OF BUSINESS AND THE LIKE), EVEN IF ASUS HAS BEEN ADVISED OF THE POSSIBILITY OF SUCH DAMAGES ARISING FROM ANY DEFECT OR ERROR IN THIS MANUAL OR PRODUCT.

SPECIFICATIONS AND INFORMATION CONTAINED IN THIS MANUAL ARE FURNISHED FOR INFORMATIONAL USE ONLY, AND ARE SUBJECT TO CHANGE AT ANY TIME WITHOUT NOTICE, AND SHOULD NOT BE CONSTRUED AS A COMMITMENT BY ASUS. ASUS ASSUMES NO RESPONSIBILITY OR LIABILITY FOR ANY ERRORS OR INACCURACIES THAT MAY APPEAR IN THIS MANUAL, INCLUDING THE PRODUCTS AND SOFTWARE DESCRIBED IN IT.

Products and corporate names appearing in this manual may or may not be registered trademarks or copyrights of their respective companies, and are used only for identification or explanation and to the owners' benefit, without intent to infringe.

Contents

Notices.....	iv
Safety information	v
Care & Cleaning	ix
1.1 Welcome	1-3
1.2 Package contents.....	1-3
1.3 Attaching the Stand	1-4
1.3.1 Cable Management.....	1-4
1.3.2 Remote Control.....	1-5
1.4 Connect cables	1-7
1.4.1 Rear of the LCD monitor	1-7
1.5 Monitor introduction	1-8
1.5.1 Front/Side view	1-8
2.1 Adjusting the monitor.....	2-1
2.2 Outline dimension.....	2-2
2.3 Turning on the monitor.....	2-3
2.4 For VESA wall mount	2-3
3.1 OSD (On-Screen Display) menu	3-1
3.1.1 How to reconfigure.....	3-1
3.1.2 OSD Function Introduction.....	3-2
5. PIP/PBP Setup	3-7
6. MyFavorite	3-7
3.3 Specifications.....	3-11
3.3 Troubleshooting (FAQ).....	3-13
3.4 Supported Timing List.....	3-14

Notices

Federal Communications Commission Statement

This device complies with Part 15 of the FCC Rules. Operation is subject to the following two conditions:

- This device may not cause harmful interference.
- This device must accept any interference received including interference that may cause undesired operation.

This equipment has been tested and found to comply with the limits for a Class B digital device, pursuant to Part 15 of the FCC Rules. These limits are designed to provide reasonable protection against harmful interference in a residential installation. This equipment generates, uses and can radiate radio frequency energy and, if not installed and used in accordance with the instructions, may cause harmful interference to radio communications. However, there is no guarantee that interference will not occur in a particular installation. If this equipment does cause harmful interference to radio or television reception, which can be determined by turning the equipment off and on, the user is encouraged to try to correct the interference by one or more of the following measures:

- Reorient or relocate the receiving antenna.
- Increase the separation between the equipment and receiver.
- Connect the equipment to an outlet on a circuit different from that to which the receiver is connected.
- Consult the dealer or an experienced radio/TV technician for help.



The use of shielded cables for connection of the monitor to the graphics card is required to assure compliance with FCC regulations. Changes or modifications to this unit not expressly approved by the party responsible for compliance could void the user's authority to operate this equipment.

Declaration of Conformity This device complies with the requirements set out in the Council Directive on the Approximation of the Laws of the Member States relating to Electromagnetic Compatibility (2014/30/EU), Low-voltage Directive (2014/35/EU), ErP Directive (2009/125/EC) and RoHS directive (2011/65/EU). This product has been tested and found to comply with the harmonized standards for Information Technology Equipment, these harmonized standards published under Directives of Official Journal of the European Union.

Canadian Department of Communications Statement

This digital apparatus does not exceed the Class B limits for radio noise emissions from digital apparatus set out in the Radio Interference Regulations of the Canadian Department of Communications.

This class B digital apparatus complies with Canadian ICES-003.

This Class B digital apparatus meets all requirements of the Canadian Interference-Causing Equipment Regulations.

Cet appareil numérique de la classe B respecte toutes les exigences du Règlement sur le matériel brouiller du Canada.

This marking or statement shall include the following or similar text:

CAUTION

RISK OF EXPLOSION IF BATTERY IS REPLACED BY AN INCORRECT TYPE.

DISPOSE OF USED BATTERIES ACCORDING TO THE INSTRUCTIONS

Caution

Replacement of a battery with an incorrect type that can be defeat a safeguard

Disposal of a battery into fire or a hot oven, or mechanically crushing or cutting of a battery, that can result in an explosion

Leaving a battery in an extremely high temperature surrounding environment that can result in an explosion or the leakage of flammable liquid or gas

A battery subjected to extremely low air pressure that may result in an explosion or the leakage of flammable liquid or gas.

Safety information

- Before setting up the monitor, carefully read all the documentation that came with the package.
- To prevent fire or shock hazard, never expose the monitor to rain or moisture.
- Never try to open the monitor cabinet. The dangerous high voltages inside the monitor may result in serious physical injury.
- If the power supply is broken, do not try to fix it by yourself. Contact a qualified service technician or your retailer.
- Before using the product, make sure all cables are correctly connected and the power cables are not damaged. If you detect any damage, contact your dealer immediately.

- Slots and openings on the back or top of the cabinet are provided for ventilation. Do not block these slots. Never place this product near or over a radiator or heat source unless proper ventilation is provided.
- The monitor should be operated only from the type of power source indicated on the label. If you are not sure of the type of power supply to your home, consult your dealer or local power company.
- Use the appropriate power plug which complies with your local power standard.
- Do not overload power strips and extension cords. Overloading can result in fire or electric shock.
- Avoid dust, humidity, and temperature extremes. Do not place the monitor in any area where it may become wet. Place the monitor on a stable surface.
- Unplug the unit during a lightning storm or if it will not be used for a long period of time. This will protect the monitor from damage due to power surges.
- Never push objects or spill liquid of any kind into the slots on the monitor cabinet.
- To ensure satisfactory operation, use the monitor only with UL listed computers which have appropriate configured receptacles marked between 100 ~ 240V AC.
- The socket-outlet shall be installed near the equipment and shall be easily accessible
- If you encounter technical problems with the monitor, contact a qualified servicer.
- Provide an earthing connection before the mains plug is connected to the mains. And, when disconnecting the earthing connection, be sure to disconnect after pulling out the mains plug from the mains.
- Please confirm the distribution system in building installation shall provide the circuit breaker rated 120/240V, 20A (maximum).
- If provided with a 3-pin attachment plug on the power cord, plug the cord into a grounded (earthed) 3-pin outlet. Do not disable the power cord grounding pin, for example, by attaching a 2-pin adapter. The grounding pin is an important safety feature.

WARNING

Usage of other than specified head- or earphones can result in hearing loss due to excessive sound pressures.

Stability Hazard.

The product may fall, causing serious personal injury or death. To prevent injury, this product must be securely attached to the floor/wall in accordance with the installation instructions.

A product may fall, causing serious personal injury or death. Many injuries, particularly to children, can be avoided by taking simple precautions such as:

ALWAYS use cabinets or stands or installation methods recommended by the manufacturer of the product set.

ALWAYS use furniture that can safely support the product.

ALWAYS ensure the product is not overhanging the edge of the supporting furniture.

ALWAYS educate children about the dangers of climbing on furniture to reach the product or its controls.

ALWAYS route cords and cables connected to your product so they cannot be tripped over, pulled or grabbed.

NEVER place a product in an unstable location.

NEVER place the product on tall furniture (for example, cupboards or bookcases) without anchoring both the furniture and the product to a suitable support.

NEVER place the product on cloth or other materials that may be located between the product and supporting furniture.

NEVER place items that might tempt children to climb, such as toys and remote controls, on the top of the product or furniture on which the product is placed.

If the existing product is going to be retained and relocated, the same considerations as above should be applied.

Restriction on Hazardous Substances statement (India)

This product complies with the "India E-Waste (Management) Rules, 2016" and prohibits use of Lead, Mercury, Hexavalent Chromium, polybrominated biphenyls(PBBs) and polybrominated diphenyl ethers(PBDEs) in concentration exceeding 0.1% by weight in homogenous materials and 0.01% by weight in homogenous materials for cadmium, except of exemptions listed in Schedule 2 of the Rule.





Disposal of waste equipment by user in private household in the European Union

This symbol on the product or on its packaging indicates that this product must not be disposed of with your other household waste. Instead, it is your responsibility to dispose of your waste equipment by handing it over to a designated collection point for the recycling of waste electrical and electronic equipment. The separate collection and recycling of your waste equipment at the time of disposal will help to conserve natural resources and ensure that it is recycled in a manner that protects human health and the environment. For more information about where you can drop off your waste equipment for recycling, please contact your local city office, your household waste disposal service or the shop where you purchased the product.

The Monitor uses low blue light panel and compliance with TÜV Rheinland Low Blue Light Hardware Solution at factory reset/default setting mode.

TÜV Rheinland Flicker Free Certification.

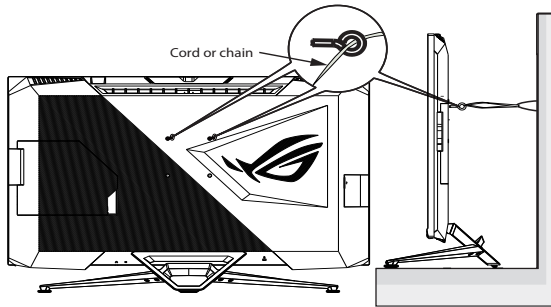
This product to ascertain whether the display produces visible and invisible flicker for the human eye and therefore strains the eyes of users.

ASUS CONTACT INFORMATION

<ul style="list-style-type: none"> ■ ASUSTeK Computer Inc. Address 1F, No.15, Lide Rd., Beitou Dist., Taipei City, 112 Telephone +886-2-2894-3447 Fax +886-2-2894-7798 E-mail info@asus.com.tw Website http://www.asus.com.tw/ 	<ul style="list-style-type: none"> ■ ASUS Computer International (America) Address 48720 Kato Rd, Fremont, CA 94538, USA Telephone +1-510-739-3777 Fax +1-510-608-4555 Website http://usa.asus.com/ 	<ul style="list-style-type: none"> ■ ASUS Computer GmbH (Germany and Austria) Address Harkortstr. 21-23 D-40880 Ratingen, Germany Telephone +49-1805-010920 Website http://www.asus.de/ Online Contact http://www.asus.de/sales
<ul style="list-style-type: none"> ■ Technical Support Telephone +86-21-38429911 	<ul style="list-style-type: none"> ■ Technical Support Telephone +1-812-282-2787 (English Only) +1-905-370-2787 (French Only) Online Support http://support.asus.com/ 	<ul style="list-style-type: none"> ■ Technical Support Telephone +49-1805-010923 Support Fax +49-2102-959911 Online Support http://support.asus.com/

Prevent Tipping

When using the display, fasten the LCD to a wall using a cord or chain that can support the weight of the monitor in order to prevent the monitor from falling.



- Display design may differ from those illustrated.
- Installing must be done by a qualified technician , and please contact your supplier for more information.
- For the Models with net weight $\geq 7\text{kg}$. Please select the suitable way to Prevent Tipping.
- For the models with VESA Mount, please use method ❶, install the screws with ring to the VESA Mount hole, then tie the cord or chain to the wall. Otherwise, please use method ❷ to tie the cord or chain to the stand and then fix it to the wall.

Care & Cleaning

- Before you lift or reposition your monitor, it is better to disconnect the cables and power cord. Follow the correct lifting techniques when positioning the monitor. When lifting or carrying the monitor, grasp the edges of the monitor. Do not lift the display by the stand or the cord.
- Cleaning. Turn your monitor off and unplug the power cord. Clean the monitor surface with a lint-free, non-abrasive cloth. Stubborn stains may be removed with a cloth dampened with mild cleaner.
- Avoid using a cleaner containing alcohol or acetone. Use a cleaner intended for use with the LCD. Never spray cleaner directly on the screen, as it may drip inside the monitor and cause an electric shock.



This symbol of the crossed out wheeled bin indicates that the product (electrical, electronic equipment, and mercury-containing button cell battery) should not be placed in municipal waste.

Please check local regulations for disposal of electronic products.

AEEE yönetmeliğine uygundur

The following symptoms are normal with the monitor:

- The screen may flicker during the initial use due to the nature of the fluorescent light. Turn off the Power Switch and turn it on again to make sure that the flicker disappears.
- You may find slightly uneven brightness on the screen depending on the desktop pattern you use.
- When the same image is displayed for hours, an afterimage of the previous screen may remain after switching the image. The screen will recover slowly or you can turn off the Power Switch for hours.
- When the screen becomes black or flashes, or cannot work anymore, contact your dealer or service center to fix it. Do not repair the screen by yourself!

Conventions used in this guide



WARNING: Information to prevent injury to yourself when trying to complete a task.



CAUTION: Information to prevent damage to the components when trying to complete a task.



IMPORTANT: Information that you **MUST** follow to complete a task.



NOTE: Tips and additional information to aid in completing a task.

Where to find more information

Refer to the following sources for additional information and for product and software updates.

1. **ASUS websites**

The ASUS websites worldwide provide updated information on ASUS hardware and software products. Refer to **<http://www.asus.com>**

2. **Optional documentation**

Your product package may include optional documentation that may have been added by your dealer. These documents are not part of the standard package.

Takeback Services

ASUS recycling and takeback programs come from our commitment to the highest standards for protecting our environment. We believe in providing solutions for our customers to be able to responsibly recycle our products, batteries and other components as well as the packaging materials.

Please go to <http://csr.asus.com/english/Takeback.htm> for detail recycling information in different region.

Product information for EU energy label



1.1 Welcome

Thank you for purchasing the ASUS® LCD Gaming monitor!

The latest widescreen LCD monitor from ASUS provides a crisper, broader, and brighter display, plus a host of features that enhance your viewing experience.

With these features, you can enjoy the convenience and delightful visual experience that the monitor brings to you!

1.2 Package contents

Check your package for the following items:

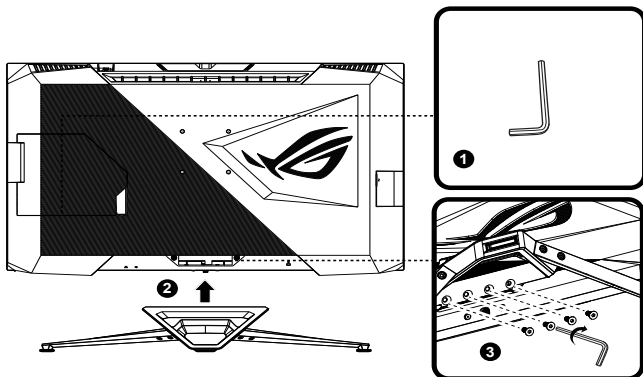
- ✓ LCD Monitor
- ✓ Monitor Base
- ✓ Quick Start Guide
- ✓ Warranty Card
- ✓ Power Cord
- ✓ Ultra High Speed HDMI 2.1 Cable
- ✓ DP Cable
- ✓ USB Cable (Type A to B)
- ✓ Input/Output port cover w/ L shape screw driver
- ✓ Color Calibration Testing Report
- ✓ Remote Control
- ✓ Battery
- ✓ ROG sticker
- ✓ ROG Pouch
- ✓ M6 screws 4 pcs for stand
- ✓ M6 Standoff 4 pcs for VESA mount



-
- If any of the above items is damaged or missing, contact your retailer immediately.
-

1.3 Attaching the Stand

1. Remove the input/output port cover from the rear of the monitor. Then remove the Allen wrench from the cover.
2. Replace the input/output port cover. Then align and install the stand onto its slot.
3. Using the Allen wrench, secure the stand with the four (4) M6 x 15mm screws.

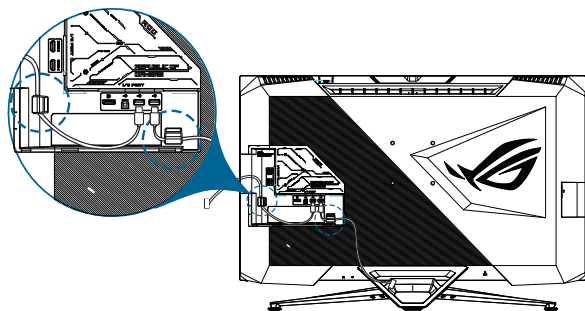


- We recommend that you cover the table surface with soft cloth to prevent damage to the monitor

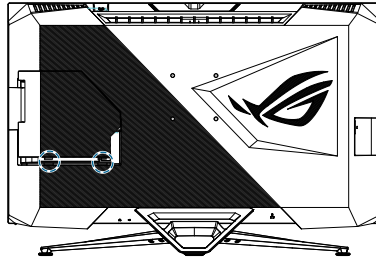
1.3.1 Cable Management

You can organize the cables with the help of the input/output port cover.

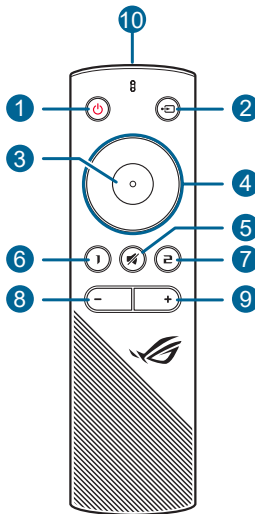
- Arranging the cables



- **Using the input/output port cover:** the cover can be attached or detached.



1.3.2 Remote Control

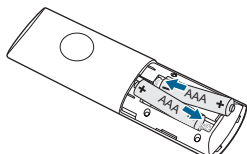


1. **Power button:** Turn the monitor on/off.
2. **Input button:** Switch the input source.
3. **Enter button:** Confirm the selection.
4. **Navigation buttons:** Increase/Decrease values or moves your selection up/down/left/right.
5. **Mute button:** Turn off the sound temporarily.
6. **Shortcut 1 GameVisual** (for Remote control): By default, it is GameVisual hotkey. To change the hotkey function, go to the MyFavorite > Shortcut >Shortcut2 menu.

7. **Shortcut 2 GamePlus** (for Remote control): By default, it is GamePlus hotkey. To change the hotkey function, go to the MyFavorite > Shortcut > Shortcut1 menu.
8. **Volume Down button**: Decrease the volume level.
9. **Volume Up button**: Increase the volume level.
10. **IR emitter**: Responsible for infrared signal transmission.

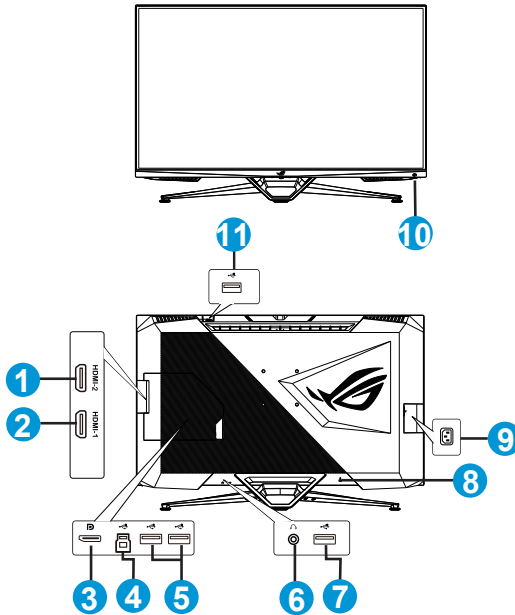
For battery replacement:

Open the battery cover and install the batteries into the battery compartment. Then replace the battery cover.



1.4 Connect cables

1.4.1 Rear of the LCD monitor

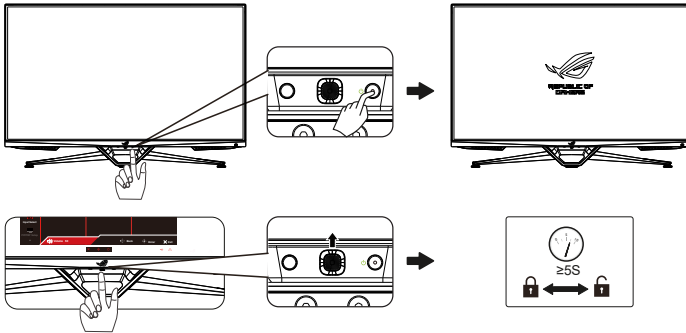


1. HDMI2.1 Port
2. HDMI2.1 Port
3. Display1.4 Port
4. USB3.2 Gen 1 upstream Port
5. USB3.2 Gen 1 Downstream Port
6. Earphone Jack
7. USB3.2 Gen 1 Downstream Port
8. Kensington Lock
9. AC IN
10. IR receiver
11. USB3.2 Gen 1 Downstream Port

1.5 Monitor introduction

1.5.1 Front/Side view

Use the control button on the bottom of the monitor to adjust the monitor settings.



1. Power Indicator:

The color definition of the power indicator is as the below table.

Status	Description
White	ON
Amber	Standby mode
OFF	OFF

2. Power Button:

- Press this button to turn the monitor off. Press any key to turn on the monitor.

3. (5-way) Button:

- Press this button to turn on the OSD menu.
- Increases/Decreases values or moves your selection up/down/left/right

4. Close Button:

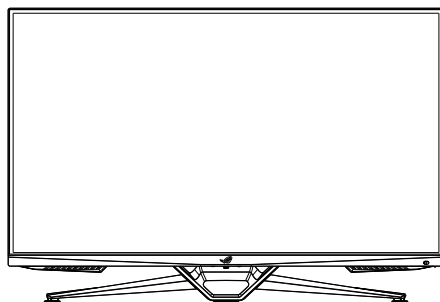
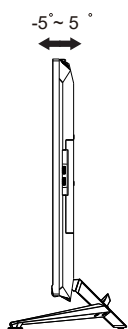
- Press to activate the **Input Select** hotkey. In the OSD menu, press to exit the OSD menu.



- To change the hotkey function, go to the MyFavorite >Shortcut menu.

2.1 Adjusting the monitor

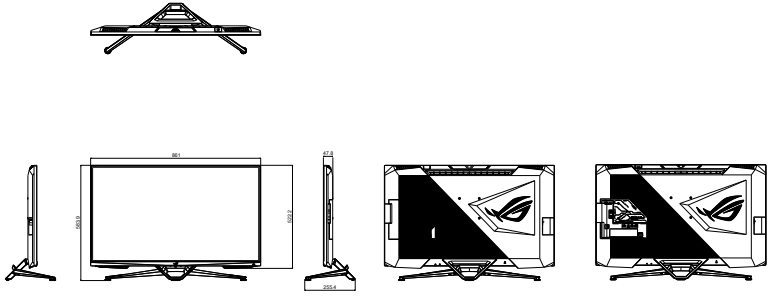
- For optimal viewing, we recommend that you look at the full face of the monitor, then adjust the monitor to the angle that is most comfortable for you.
- Hold the stand to prevent the monitor from falling when you change its angle.
- You can adjust the monitor's angle from -5° to 5° .





It is normal that the monitor slightly shakes while you adjust the viewing angle.

2.2 Outline dimension

Unit: mm



2.3 Turning on the monitor

You can either press the  button on the remote control or the  button on the monitor to turn on the monitor.

If the Power Indicator function is enabled and an input source is detected, the power LED will light up white to indicate that the monitor is turned on.



- If no signal is detected for around 10 minutes, the monitor automatically enters saving mode.

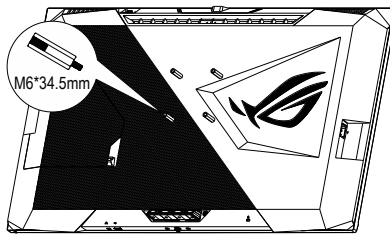
2.4 For VESA wall mount



- Avoid damaging the monitor surface. While detaching the monitor stand, always keep the monitor inside its EPS packaging.

The detachable stand of this monitor is specially designed for VESA wall mount.

1. Disconnect power and signal cables .Carefully put the monitor face-down on its EPS packaging and detaching Stand
2. Set the screw pitch *4 (M6*34.5mm ,Included on the porch) on VESA holes

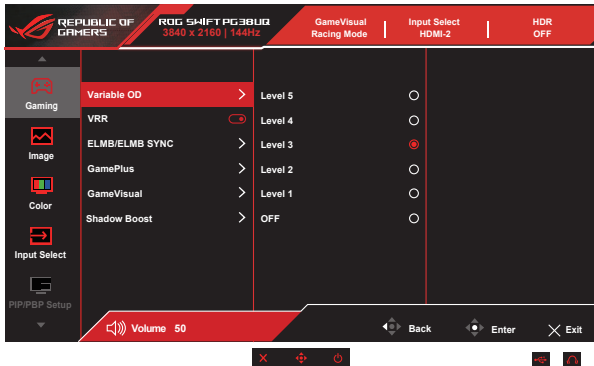


- The VESA wall mount kit (100 x 100 mm) is purchased separately.
- Use only the UL Listed Wall Mount Bracket with minimum weight/load 28.8 kg .

3.1 OSD (On-Screen Display) menu

3.1.1 How to reconfigure

You can either use the remote control or the Control buttons on the monitor to navigate through the menu and make adjustments.



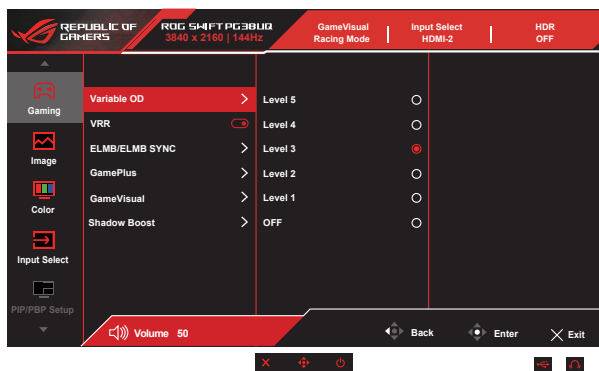
To navigate through the menu and make adjustments using the remote control, do the following:

1. Press the Enter button to activate the OSD menu.
2. Move the Navigation button up/down to navigate through the functions. Highlight the desired function and press the Enter button to activate it. If the function selected has a sub-menu, move the Navigation button up/down again to navigate through the sub-menu functions. Highlight the desired sub-menu function and press the Enter button or move the Navigation button right to activate it.
3. Move the Navigation button up/down to change the settings of the selected function.
4. To exit and save the OSD menu, move the Navigation button left repeatedly until the OSD menu disappears. To adjust other functions, repeat steps 1 to 3.

3.1.2 OSD Function Introduction

1. Gaming

Configure your gaming preferences.



- **Variable OD:**Speeds up the response time by Over Drive technology. Including OFF,Level 1~Level 5.
- **VRR:** Allow an Adaptive-Sync supported graphics source to dynamically adjust display refresh rate based on typical content frame rates for power efficient, virtually stutter free and low-latency display update.
- **ELMB/ELMB SYNC:** Check to decrease motion blur and minimize ghosting part when on-screen objects are fast moving. ELMB is disabled if input V frequency less than 85Hz. ELMB SYNC on support when VRR ON.
- **GamePlus:** The GamePlus Function provides a toolkit and creates a better gaming environment for users when playing different types of games. Particularly, Crosshair function is specially designed for new gamers or beginners interested in First Person Shooter (FPS) games.Contains FPS Counter, Crosshair,Timer, Stopwatch,and Display Alignment functions for players to choose.
- **GameVisual:** This function contains to switch from eight video preset modes (Scenery Mode,Racing Mode,Cinema Mode,RTS/RPG Mode,FPS Mode,sRGB Mode,MOBA Mode,User Mode) that you can select for your preference.
- **Shadow Boost:** Adjust the monitor gamma curve to enrich the dark tones in an image, making dark scenes and objects much easier to be seen.

2. Image

Configure the image settings.



- **Brightness:** Adjust the brightness level.
- **Contrast:** Adjust the contrast level.
- **VividPixel:** Enhance the outline of the displayed picture and generates high-quality images on screen.
- **HDR Setting:** Set the HDR mode to ASUS Gaming HDR, ASUS Cinema HDR, or Console HDR. The HDR brightness can be adjusted when the Brightness Adjustable function is enabled.
- **Dynamic Dimming:** Dynamic local dimming, turn on this feature to improve the dynamic contrast.
- **ASCR:** Select **ON** or **OFF** to enable or disable dynamic contrast ratio function.

- **Aspect Control:** Adjusts the aspect ratio to **16:9, 4:3, 21:9, 32:9 and Screen Position. Adjust the aspect ratio to 16:9, 4:3 or 21:9 to enjoy different gaming scenario.**

16:9: Simply choose Simulate 27" or 25" under Full for better FPS gaming size; or you can choose Pixel by pixel such as 3840x2160 resolution for 27" or 3840x2160 resolution for 25" under Windows Display setting.

4:3: Provides multiple 4:3 aspect ratio choices with different screen sizes, including Full, Equivalent and Pixel by pixel items.

21:9: It can be used to simulate 21:9 screen. 3840x2160 or 3440x1440 resolution can be choose under Windows Display setting. Different screen sizes, including Full, Equivalent and Pixel by pixel items also be provided.

32:9: It can be used to simulate 32:9 screen. 3840x2160 or 3840x1080 resolution can be choose under Windows Display setting. Different screen sizes, including Full, Equivalent and Pixel by pixel items also be provided.

- **Blue Light Filter:** Reduce the energy level of blue light emitted from the LED backlight.
 - **OFF:** No change.
 - **Level 1~4:** The higher the level, the less blue light is scattered. When Blue Light Filter is activated, the default settings of Racing Mode will be automatically imported. Between Level 1 to Level 3, the Brightness function is user-configurable. Level 4 is optimized setting. The Brightness function is not user-configurable.



- The Monitor uses low blue light panel and compliance with TÜV Rheinland Low Blue Light Hardware Solution at factory reset/default setting mode (Brightness: 90%, Contrast: 80%, CCT: 6500K, Preset mode: Racing mode, Power Setting: YES).
-



- When the user adjusts blue light filter bar to maximum level.
-

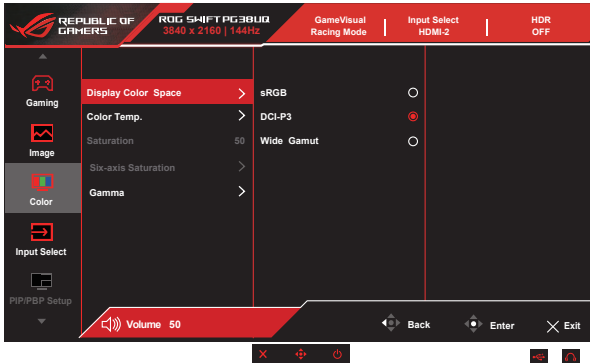


Please refer to the following to alleviate eye strains:

- Users should take some time away from the display if working for long hours. It is advised to take short breaks (at least 5 mins) after around 1 hour of continuous working at the computer. Taking short and frequent breaks is more effective than a single longer break.
 - To minimize eye strain and dryness in your eyes, users should rest the eye periodically by focusing on objects that are far away.
 - Eye exercises can help to reduce eye strain. Repeat these exercises often. If eye strain continues please consult a physician. Eye exercises: (1) Repeating look up and down (2) Slowly roll your eyes (3) Move your eyes diagonal.
 - High energy blue light may lead to eye strain and AMD (Age-Related Macular Degeneration). Blue light filter to reduce 70% (max.) harmful blue light to avoiding CVS (Computer Vision Syndrome)
-

3. Color

Select the image color you like from this function.



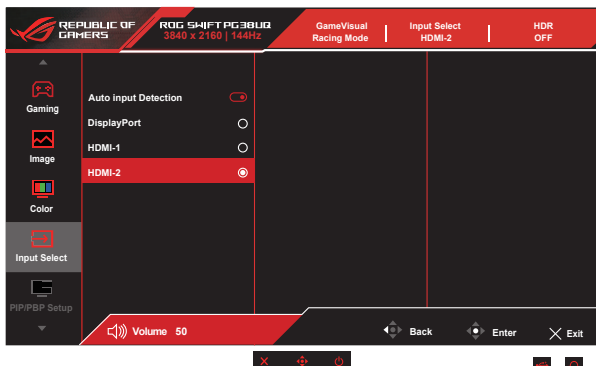
- **Display Color Space:** Select color space to sRGB, Wide Gamut and DCI-P3.
- **Color Temp.:** Contains seven preset color modes (**4000K**, **5000K**, **6500K**, **7500K**, **8200K**, **9300K**, **10000K**) and **User Mode**.
- **Saturation:** The adjusting range is from 0 to 100.
- **Six-axis Saturation:** Set R/G/B/C/M/Y saturation. The range is from 0 to 100.
- **Gamma:** Contains three gamma modes including 1.8, 2.0, 2.2, 2.4, 2.6.



- In the User Mode, colors of R (Red), G (Green), and B (Blue) are user-configurable; the adjusting range is from 0 ~ 100.

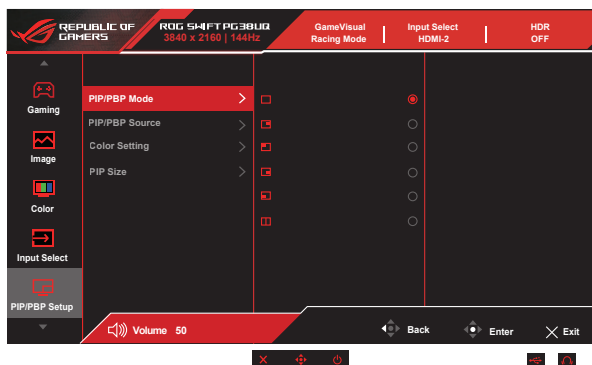
4. Input Select

Select your desired input source and toggle the Auto Input Detection function between on and off. The monitor input source will not automatically switch when the Auto Input Detection function is disabled.



5. PIP/PBP Setup

The PIP/PBP Setup allows you to open up sub-window(s) connected from any video source.

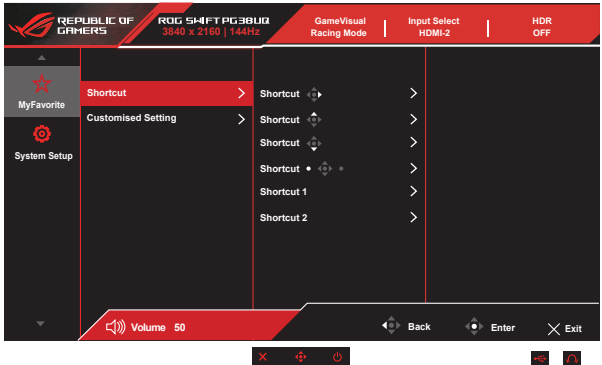


- **PIP/PBP Mode:** Select PIP, PBP or turn it off.
 - **PIP/PBP Source:** Selects the video input source among, “DisplayPort, HDMI-1, HDMI-2.”
 - **Color Setting:** Set GameVisual mode for each PIP/PBP window.
 - **PIP Size:** Adjust the PIP size to “Small”, “Middle”, or “Large”.
-
- Disable VRR and HDR function to enable PIP/PBP function.



6. MyFavorite

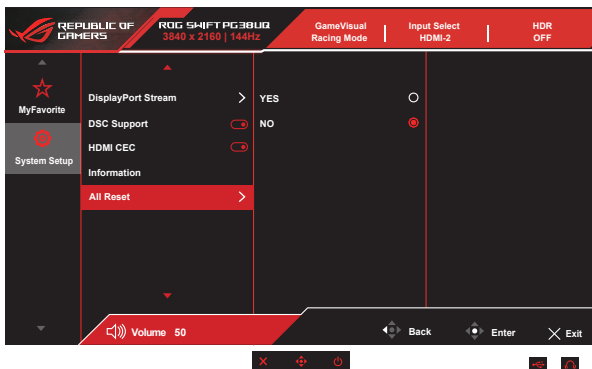
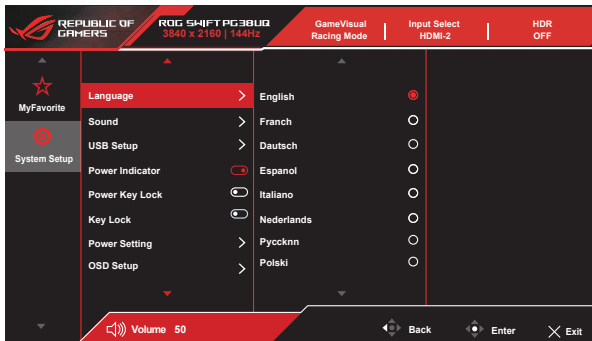
Assign a function to the shortcut button, save the current system configurations, or restore the system configuration.



- **Shortcut:** Assign a function for the designated shortcut button.
- **Customized Setting:** Load/Save all settings on the monitor.

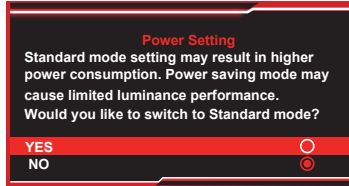
8. System Setup

Adjust the system configurations.



- **Language:** Select OSD language. The selections are: **English, French, German, Spanish, Italian, Dutch, Russian, Poland, Czech, Croacia, Hungary, Romania, Portugal, Turkey, Simplified Chinese, Traditional Chinese, Japanese, Korean, Persian, Thai, Indonesian and Ukrainian.**
- **Sound:** Configure the sound related settings.
 - **Volume:** Adjust the volume level.
 - **Mute:** Enable/Disable the mute function.
 - **Sound Source:** Select the monitor sound comes from which source.
- **USB Setup:** Sets the USB Hub availability during standby.
- **Power Indicator:** Turn the power LED indicator on/off.
- **Power Key Lock:** Disable/Enable the Power key.
- **Key Lock:** Enable this function to disable all function keys. Press the **Navigation** button down for more than five seconds to cancel the key lock function.

- **Power Setting:** Select the power setting mode. If the setting is set to **Standard Mode**, it may result in higher power consumption. On the other hand, if the setting is set to **Power Saving Mode**, it may cause limited luminance performance.



- **OSD Setup:** Configure the OSD menu related settings.
 - OSD Position: Set the OSD menu position.
 - OSD Timeout: Adjust the OSD timeout.
 - Transparency: Adjust the OSD background from opaque to transparent.
 - Zoom By Remote Control: Select the OSD menu size when using the remote control.
 - Zoom by Hot Key: Select the OSD menu size when using the Control buttons.
 - DDC/CI: Enable/Disable the DDC/CI function.
- **DisplayPort Stream:** Select DisplayPort 1.2 or DisplayPort 1.4 according to the graphic card DP version.
- **DSC Support:** Enable/Disable the DSC (Display Stream Compression) function.
- **HDMI CEC:** Allows power on/off control of the console device or setup box, such as Apple TV, Sony PlayStation, Xbox Series X/S, Nintendo Switch through the monitor. Default Off. Note: If the monitor is turned on, the CEC source device will automatically power on, and vice versa. If the CEC source device is turned on, the monitor will automatically power on. (*listed device is depend on test result).



-
- If the monitor is turned on, the CEC source device will automatically power on, and vice versa. If the CEC source device is turned on, the monitor will automatically power on.
-

- **Information:** Display the monitor information.
- **All Reset:** Select YES to revert all settings to the factory default mode.

3.3 Specifications

Panel type	LCD
Panel Size	38" W (96.52 cm)
Max. Resolution	3840 x 2160 @ 144Hz
Pixel Pitch	0.219 mm x 0.219 mm
Brightness	350 nits(Typ.)
Contrast Ratio	1000:1(Typ.)
Viewing Angle (H/V)	178°(V) /178°(H)
Display Colors	16.7M
Response Time	1 ms (G TO G)
Color temperature selection	8 color temperatures
Analog input	No
Digital input	HDMI 2.1 x 2, DP 1.4 x 1
Earphone jack	Yes
Speaker (Built-in)	5 W x 2
USB3.2 Port	USB 3.2 Gen 1(Upstream*1/ Downstream*4)
Colors	Black
Tilt	-5° ~ +5°
Swivel	No
Height adjustment	No
VESA wall mount	100 x 100 mm
Kensington lock	Yes
Voltage rating	AC 100-240V, 50/60 Hz
Power consumption	Power On:< 50 W(*Based on Energy Star 8.0 stabdard) Standby:<0.5 W Power Off:<0.3 W
Temperature (Operating)	0°C ~ 40°C
Temperature (Non-operating)	-20°C ~ +60°C
Dimensions (W x H x D)	861 X 583.9 X 255.4 mm (with stand) 861 X 522.2 X 47.8 mm(without stand) 980 x 757 x 188 mm(Package)

Weight (Esti.)	9.04 kg (without stand) 10.23 kg (Net) 15.66 kg (Gross)
Multi-languages	English, French, German, Spanish, Italian, Dutch, Russian, Poland, Czech, Croacia, Hungary, Romania, Portugal, Turkey, Simplified Chinese, Traditional Chinese, Japanese, Korean, Persian, Thai, Indonesian, Ukrainian
Accessories	Monitor Base,Quick Start Guide,Warranty Card,Power Cord,Ultra High Speed HDMI 2.1 Cable,DP Cable,USB Cable (Type A to B),Input/Output port cover w/ L shape screw driver,Color Calibration Testing Report,Remote Control,Battery ,ROG sticker,ROG Pouch,M6 screws 4 pcs for stand,M6 Standoff 4 pcs for VESA mount

*Specifications subject to change without notice.

3.3 Troubleshooting (FAQ)

Problem	Possible Solution
Power LED is not ON	<ul style="list-style-type: none"> • Press the ⏻ button to check if the monitor is in the ON mode. • Check if the power cord is properly connected to the monitor and the power outlet. • Check Power Indicator function in main menu OSD. Select "ON" to turn on power LED.
The power LED lights amber and there is no screen image	<ul style="list-style-type: none"> • Check if the monitor and the computer are in the ON mode. • Make sure the signal cable is properly connected the monitor and the computer. • Inspect the signal cable and make sure none of the pins are bent. • Connect the computer with another available monitor to check if the computer is properly working.
Screen image is too light or dark	<ul style="list-style-type: none"> • Adjust the Contrast and Brightness settings via OSD.
Screen image bounces or a wave pattern is present in the image	<ul style="list-style-type: none"> • Make sure the signal cable is properly connected to the monitor and the computer. • Move electrical devices that may cause electrical interference.
Screen image has color defects (white does not look white)	<ul style="list-style-type: none"> • Inspect the signal cable and make sure that none of the pins are bent. • Perform Reset via OSD. • Adjust the R/G/B color settings or select the Color Temperature via OSD.
No sound or sound is low	<ul style="list-style-type: none"> • Adjust the volume settings of both your monitor and computer. • Make sure the computer sound card driver is properly installed and activated. • Check the audio source.
The BIOS screen cannot be displayed	<ul style="list-style-type: none"> • Please enable CSM function and Gaming Mode. • * Set Power Setting to Standard Mode.
Set 3840x2160@144Hz 12bits, monitor enters power saving mode.	<ul style="list-style-type: none"> • Disable DSC Support, it can only support up to 3840x2160@144Hz 10bit. To support 3840x2160@144Hz 12bits, please enable DSC Support function

3.4 Supported Timing List

Normal Timing

Timing	H Pixels	V Pixels	Frame Rate	Display Port	HDMI
PC Timing	640	480	60	•	•
PC Timing	640	480	67	•	•
PC Timing	640	480	72	•	•
PC Timing	640	480	75	•	•
PC Timing	720	400	70	•	•
PC Timing	800	500	56	•	•
PC Timing	800	500	60	•	•
PC Timing	800	500	72	•	•
PC Timing	800	500	75	•	•
PC Timing	1024	768	60	•	•
PC Timing	1024	768	120	•	•
PC Timing	1024	768	70	•	•
PC Timing	1024	768	75	•	•
PC Timing	1152	1152	75	•	•
PC Timing	1280	720	60	•	•
PC Timing	1280	768	75	•	•
PC Timing	1280	960	60	•	•
PC Timing	1280	1024	60	•	•
PC Timing	1440	900	60	•	•
PC Timing	1680	1050	60	•	•
PC Timing	1920	1080	60	•	•
PC Timing	1920	2160	60	•	•
PC Timing	2560	1440	120	•	•
PC Timing	2560	1440	144	•	•
PC Timing	3840	2160	60	•	•
PC Timing	3840	2160	100	•	•
PC Timing	3840	2160	120	•	•
PC Timing	3840	2160	144	•	•
Timing	640	480 P	59.94/60Hz 4:3	•	•
Video Timing	720	480 P	59.94/60Hz 16:9	•	•
Video Timing	720	480 P	59.94/60Hz 4:3	•	•
Video Timing	720	576 P	50Hz 16:9	•	•
Video Timing	720	576 P	50Hz 4:3	•	•
Video Timing	1280	720 P	59.94/60Hz 16:9	•	•
Video Timing	1280	720 P	50Hz 16:9	•	•
Video Timing	1440	480 P	59.94/60Hz 16:9	•	•
Video Timing	1440	480 P	59.94/60Hz 4:3	•	•
Video Timing	1440	576 P	50Hz 16:9	•	•

Video Timing	1440	576 P	50Hz 4:3	•	•
Video Timing	1920	1080 P	24Hz 16:9	•	•
Video Timing	1920	1080 P	25Hz 16:9	•	•
Video Timing	1920	1080 P	30Hz 16:9	•	•
Video Timing	1920	1080 P	50Hz 16:9	•	•
Video Timing	1920	1080 P	100Hz 16:9	•	•
Video Timing	1920	1080 P	119.88/120Hz 16:9	•	•
Video Timing	3840	2160P	24Hz 16:9	•	•
Video Timing	3840	2160P	25Hz 16:9	•	•
Video Timing	3840	2160P	30Hz 16:9	•	•
Video Timing	3840	2160P	50Hz 16:9	•	•
Video Timing	3840	2160P	60Hz 16:9	•	•
Video Timing	3840	2160P	100Hz 16:9	•	•
Video Timing	3840	2160P	120Hz 16:9	•	•

Aspect Control can support timing

21:9 Timing	H Pixels	V Pixels	Frame Rate	Display Port	HDMI
PC Timing	640	480	60	•	•
PC Timing	800	600	56	•	•
PC Timing	800	600	60	•	•
PC Timing	1024	768	60	•	•
PC Timing	1024	768	120	•	•
PC Timing	1152	864	75	•	•
PC Timing	1280	720	60	•	•
PC Timing	1280	960	60	•	•
PC Timing	1440	900	60	•	•
PC Timing	1680	1050	60	•	•
PC Timing	1920	1080	60	•	•
PC Timing	2560	1080	144	•	•
PC Timing	3440	1440	60	•	•
PC Timing	3440	1440	144	•	•
Video Timing	640	480P	59.94/60Hz 4:3	•	•
Video Timing	720	480 P	59.94/60Hz 16:9	•	•
Video Timing	720	576 P	50Hz 16:9	•	•
Video Timing	1280	720 P	59.94/60Hz 16:9	•	•
Video Timing	1280	720 P	50Hz 16:9	•	•
Video Timing	1440	480 P	59.94/60Hz 16:9	•	•
Video Timing	1441	480 P	59.94/60Hz 4:3	•	•
Video Timing	1442	576 P	50Hz 16:9	•	•
Video Timing	1443	576 P	50Hz 4:3	•	•
Video Timing	1920	1080 P	59.94/60Hz 16:9	•	•
Video Timing				•	•

PBP Timing	H Pixels	V Pixels	Frame Rate	Display Port	HDMI
PC Timing	640	480	60	•	•
PC Timing	800	600	56	•	•
PC Timing	800	600	60	•	•
PC Timing	1024	768	60	•	•
PC Timing	1152	864	75	•	•
PC Timing	1280	720	60	•	•
PC Timing	1280	960	60	•	•
PC Timing	1440	900	60	•	•
PC Timing	1680	1050	60	•	•
PC Timing	1920	2160	60	•	•
Video Timing	640	480P	59.94/60Hz 4:3	•	•
Video Timing	720	480 P	59.94/60Hz 16:9	•	•
Video Timing	720	576 P	50Hz 16:9	•	•
Video Timing	1280	720 P	59.94/60Hz 16:9	•	•
Video Timing	1280	720 P	50Hz 16:9	•	•
Video Timing	1440	480 P	59.94/60Hz 16:9	•	•
Video Timing	1441	480 P	59.94/60Hz 4:3	•	•
Video Timing	1442	576 P	50Hz 16:9	•	•
Video Timing	1443	576 P	50Hz 4:3	•	•
Video Timing	1920	1080 P	59.94/60Hz 16:9	•	•
Video Timing	1441	480 P	59.94/60Hz 4:3	•	•
Video Timing	1442	576 P	50Hz 16:9	•	•
Video Timing	1443	576 P	50Hz 4:3	•	•
Video Timing	1920	1080 P	59.94/60Hz 16:9	•	•

32:9 Timing	H Pixels	V Pixels	Frame Rate	Display Port	HDMI
PC Timing	640	480	60	•	•
PC Timing	800	600	56	•	•
PC Timing	800	600	60	•	•
PC Timing	1024	768	60	•	•
PC Timing	1152	864	75	•	•
PC Timing	1280	720	60	•	•
PC Timing	1280	960	60	•	•
PC Timing	1440	900	60	•	•
PC Timing	1680	1050	60	•	•
PC Timing	3840	1080	144	•	•
Video Timing	640	480P	59.94/60Hz 4:3	•	•
Video Timing	720	480 P	59.94/60Hz 16:9	•	•
Video Timing	720	576 P	50Hz 16:9	•	•
Video Timing	1280	720 P	59.94/60Hz 16:9	•	•
Video Timing	1280	720 P	50Hz 16:9	•	•
Video Timing	1440	480 P	59.94/60Hz 16:9	•	•
Video Timing	1441	480 P	59.94/60Hz 4:3	•	•
Video Timing	1442	576 P	50Hz 16:9	•	•
Video Timing	1443	576 P	50Hz 4:3	•	•
Video Timing	1920	1080 P	59.94/60Hz 16:9	•	•
Video Timing	1441	480 P	59.94/60Hz 4:3	•	•
Video Timing	1442	576 P	50Hz 16:9	•	•
Video Timing	1443	576 P	50Hz 4:3	•	•
Video Timing	1920	1080 P	59.94/60Hz 16:9	•	•

4:3 Timing	H Pixels	V Pixels	Frame Rate	Display Port	HDMI
PC Timing	640	480	60	•	•
PC Timing	800	600	56	•	•
PC Timing	800	600	60	•	•
PC Timing	1024	768	144	•	•
PC Timing	1024	768	60	•	•
PC Timing	1152	864	75	•	•
PC Timing	1152	864	144	•	•
PC Timing	1280	720	60	•	•
PC Timing	1280	960	60	•	•
PC Timing	1280	960	144	•	•
PC Timing	1280	1024	144	•	•
PC Timing	1440	900	60	•	•
PC Timing	1680	1050	60	•	•
Video Timing	640	480P	59.94/60Hz 4:3	•	•
Video Timing	720	480 P	59.94/60Hz 16:9	•	•
Video Timing	720	576 P	50Hz 16:9	•	•
Video Timing	1280	720 P	59.94/60Hz 16:9	•	•
Video Timing	1280	720 P	50Hz 16:9	•	•
Video Timing	1440	480 P	59.94/60Hz 16:9	•	•
Video Timing	1441	480 P	59.94/60Hz 4:3	•	•
Video Timing	1442	576 P	50Hz 16:9	•	•
Video Timing	1443	576 P	50Hz 4:3	•	•
Video Timing	1920	1080 P	59.94/60Hz 16:9	•	•
Video Timing	1920	1080 P	59.94/60Hz 16:9	•	•

25inch Timing	H Pixels	V Pixels	Frame Rate	Display Port	HDMI
PC Timing	640	480	60	•	•
PC Timing	800	600	56	•	•
PC Timing	800	600	60	•	•
PC Timing	1024	768	60	•	•
PC Timing	1152	864	75	•	•
PC Timing	1280	720	60	•	•
PC Timing	1280	960	60	•	•
PC Timing	1440	900	60	•	•
PC Timing	1680	1050	60	•	•
PC Timing	2528	1420	144	•	•
Video Timing	640	480P	59.94/60Hz 4:3	•	•
Video Timing	720	480 P	59.94/60Hz 16:9	•	•
Video Timing	720	576 P	50Hz 16:9	•	•
Video Timing	1280	720 P	59.94/60Hz 16:9	•	•
Video Timing	1280	720 P	50Hz 16:9	•	•
Video Timing	1440	480 P	59.94/60Hz 16:9	•	•
Video Timing	1440	480 P	59.94/60Hz 4:3	•	•
Video Timing	1440	576 P	50Hz 16:9	•	•
Video Timing	1440	576 P	50Hz 4:3	•	•
Video Timing	1920	1080 P	59.94/60Hz 16:9	•	•
Video Timing	1442	576 P	50Hz 16:9	•	•
Video Timing	1443	576 P	50Hz 4:3	•	•
Video Timing	1920	1080 P	59.94/60Hz 16:9	•	•
Video Timing	1920	1080 P	59.94/60Hz 16:9	•	•

27inch Timing	H Pixels	V Pixels	Frame Rate	Display Port	HDMI
PC Timing	640	480	60	•	•
PC Timing	800	600	56	•	•
PC Timing	800	600	60	•	•
PC Timing	1024	768	60	•	•
PC Timing	1152	864	75	•	•
PC Timing	1280	720	60	•	•
PC Timing	1280	960	60	•	•
PC Timing	1440	900	60	•	•
PC Timing	1680	1050	60	•	•
PC Timing	2528	1420	144	•	•
PC Timing	2528	1536	144	•	•
Video Timing	640	480P	59.94/60Hz 4:3	•	•
Video Timing	720	480 P	59.94/60Hz 16:9	•	•
Video Timing	720	576 P	50Hz 16:9	•	•
Video Timing	1280	720 P	59.94/60Hz 16:9	•	•
Video Timing	1280	720 P	50Hz 16:9	•	•
Video Timing	1440	480 P	59.94/60Hz 16:9	•	•
Video Timing	1440	480 P	59.94/60Hz 4:3	•	•
Video Timing	1440	576 P	50Hz 16:9	•	•
Video Timing	1440	576 P	50Hz 4:3	•	•
Video Timing	1920	1080 P	59.94/60Hz 16:9	•	•
Video Timing	1443	576 P	50Hz 4:3	•	•
Video Timing	1920	1080 P	59.94/60Hz 16:9	•	•
Video Timing	1920	1080 P	59.94/60Hz 16:9	•	•

* The modes not listed in the above tables may not be supported. For optimal resolution, we recommend that you choose a mode listed in the above tables.

* Aspect Control can support timing



REPUBLIC OF
GAMERS