

# Yealink

## RoomPanel Plus

### Quick Start Guide V1.0

For more information  
please scan



Video



## Wall Mounting

墙面安装 | Wandmontage | Support mural | Instalable en la pared

→ P5



Video



## Glass Wall Mounting

玻璃墙面安装 | Glaswandmontage | Montage sur paroi de verre | Montaje en pared de cristal

→ P11



Video



## Mullion Mounting

竖框安装 | Pfostenmontage | Montage des meneaux | Montaje de parteluz

→ P17



Video



# 1 Package Contents

包装清单 | Verpackungsinhalt | Contenu de la boîte | Contenido de la caja

1



RoomPanel Plus



(12V / 1.25A)

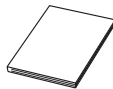
Power Adapter

电源延长线  
Netzgerät  
Adaptateur d'alimentation  
Adaptador eléctrico



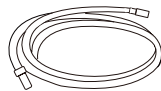
Screwdriver

螺丝刀  
Schraubendreher  
Tournevis  
Destornillador



Quick Start Guide

快速入门指南  
Kurzanleitung  
Guide de démarrage rapide  
Guía de inicio rápido

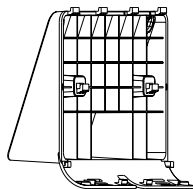


Optional

Power Extension Cable

电源延长线  
Verlängerungskabel  
Netzanschluss  
Câble d'extension d'alimentation  
Cable de extensión de corriente

2



20° Mount Bracket

20° 挂墙架 | 20° Halterung | Support à 20° | Soporte de 20°

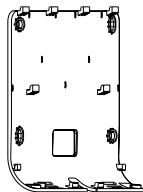
The device is at an angle of 20° to the wall after the installation.

CN: 安装完成后，设备与墙面呈 20° 角。

DE: Das Gerät steht nach der Montage in einem Winkel von 20° zur Wand.

FR: L'appareil forme un angle de 20° avec le mur après l'installation.

ES: Tras la instalación, el dispositivo se encuentra en un ángulo de 20° con respecto a la pared.



0° Mount Bracket

0° 挂墙架 | 0° Halterung | Support à 0° | Soporte de 0°

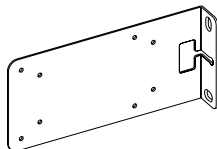
The device is at an angle of 0° to the wall after the installation.

CN: 安装完成后，设备与墙面呈 0° 角。

DE: Das Gerät steht nach der Montage in einem Winkel von 0° zur Wand.

FR: L'appareil forme un angle de 0° avec le mur après l'installation.

ES: Tras la instalación, el dispositivo se encuentra en un ángulo de 0° con respecto a la pared.



Mullion Mount Bracket

竖框挂架 | Pfostenhalterung | Support de montage sur meneau | Soporte de montaje de parteluz

Mullions for mounting on glass sides.

CN: 用于安装在玻璃侧面的竖框。

DE: Pfosten für die Montage an Glasseiten.

FR: Meneaux pour montage sur des parois en verre.

ES: Parteluces para montaje en laterales de cristal.



3M Tape

3M 魔术贴 | 3M Klebeband | Bande 3M | Cinta 3M

For gluing the device to the glass wall.

CN: 用于将 RoomPanel Plus 贴在玻璃墙面上。

DE: Zum Ankleben des Geräts an die Glaswand.

FR: Pour coller l'appareil à une paroi en verre.

ES: Para pegar el dispositivo a la pared de cristal.



## Glass Sticker

玻璃遮挡贴 | Glasaufkleber | Autocollant pour le verre | Adhesivo para cristal

**Attached to glass back for aesthetics.**

CN: 贴于玻璃背部以保持美观。

DE: Werden aus ästhetischen Gründen auf der Glasrückseite angebracht.

FR: Fixés de l'autre côté de la paroi en verre pour des raisons esthétiques.

ES: Se fija a la parte posterior de cristal por estética.



## Locating stickers

定位贴 | Positionierungsaufkleber | Autocollants de repérage | Adhesivos de ubicación

**Determine the installation position to keep it level.**

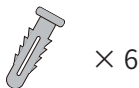
CN: 定位安装位置以保持水平。

DE: Legen Sie die Montageposition fest, um sie waagrecht zu halten.

FR: Déterminer la position d'installation pour la maintenir de niveau.

ES: Determine la posición de instalación para mantener la nivelación.

3



Φ6 \* 30 mm

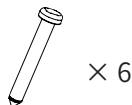
**For installation on concrete walls.**

CN: 用于安装在水泥墙面。

DE: Für die Installation an Betonwänden.

FR: Pour une installation sur des murs en béton.

ES: Para colocación en paredes de hormigón.



T4 \* 30 mm

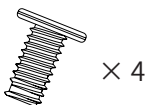
**For installation on concrete walls.**

CN: 用于安装在水泥墙面。

DE: Für die Installation an Betonwänden.

FR: Pour une installation sur des murs en béton.

ES: Para colocación en paredes de hormigón.



M2 \* 4 mm

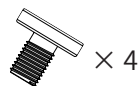
**The lock is fixed at the bottom of the device.**

CN: 锁在主机底部固定。

DE: Das Schloss wird an der Unterseite des Geräts befestigt.

FR: Le verrou est attaché au bas de l'appareil.

ES: El bloqueo se fija en la parte inferior del dispositivo.



M4 \* 6 mm

**Fix the metal bracket and the wall bracket.**

CN: 将挂墙架与金属挂架固定。

DE: Befestigen Sie die Metallhalterung und die Wandhalterung.

FR: Fixer le support métallique et le support mural.

ES: Fije el soporte de metal y el soporte de pared.

# Hardware Component Instructions

硬件介绍 | Anleitung für die Hardware-Komponente | Instructions du composant matériel | Instrucciones de componentes de hardware

Power port

电源接口  
Stromanschluss  
Port d'alimentation  
Puerto de alimentación

Internet port

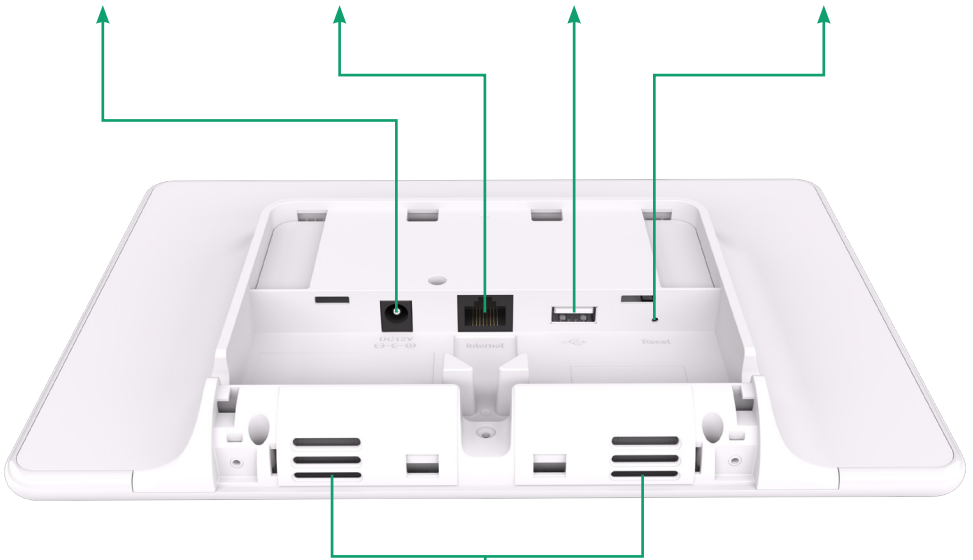
网络接口  
Internet-Port  
Port Internet  
Puerto de internet

USB-A port

USB-A 接口  
USB-A-Port  
Port USB-A  
Puerto de USB-A

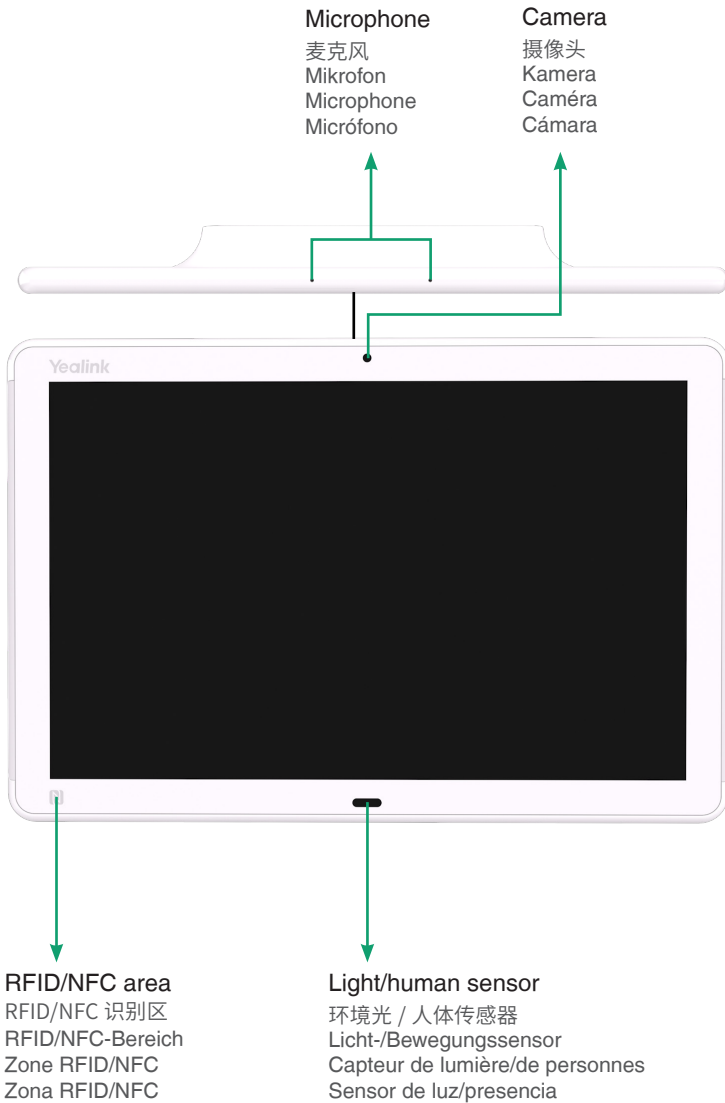
Reset key

复位键  
Reset-Taste  
Touche de réinitialisation  
Tecla de reinicio



Speaker

扬声器  
Lautsprecher  
Haut-parleur  
Altavoz





Video

## 1 Glue the locating sticker to locate the installation position

CN: 安装辅助贴，定位安装位置。

DE: Bringen Sie den Positionierungsaufkleber an, um die Montageposition zu bestimmen.

FR: Fixez l'autocollant de repérage pour localiser la position d'installation.

ES: Pegue el adhesivo de ubicación para localizar la posición de instalación.

**Take 0° mount bracket as an example for reference.**

CN: 以 0° 挂墙架举例说明。

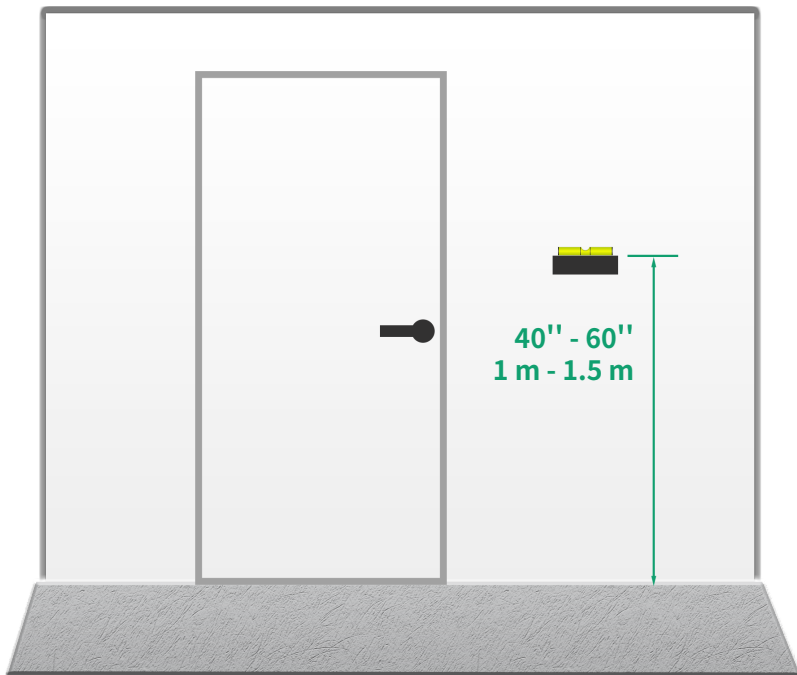
DE: Nehmen Sie beispielsweise die 0°-Halterung als Referenz.

FR: Référez-vous au support à 0° comme exemple.

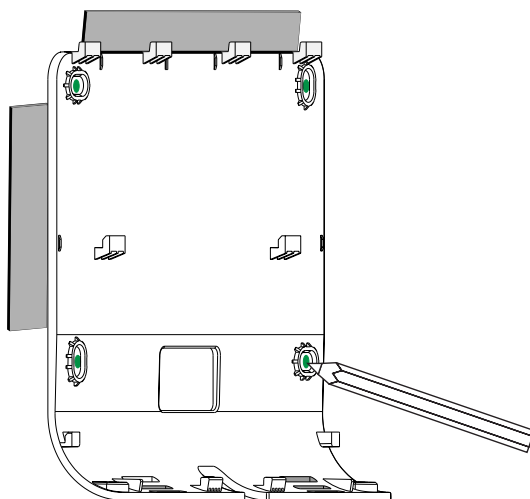
ES: Tome el soporte de 0° como ejemplo de referencia.

Not included: Level instrument  
需自备：水平仪  
Nicht enthalten: Richten Sie das Gerät aus  
Mette l'instrument de niveau non fourni  
No se incluye: Instrumento de nivel

1



2





## 2 Install the mount bracket on the wall

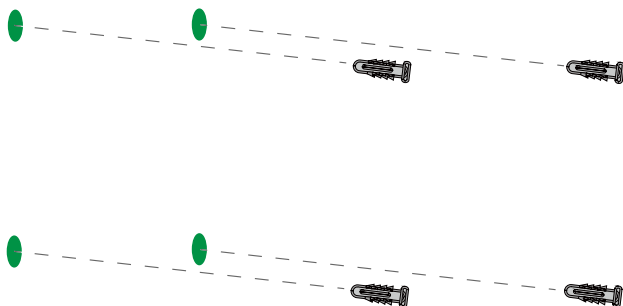
CN: 将挂墙架安装至墙面。

DE: Montieren Sie die Halterung an der Wand.

FR: Installez le support sur le mur.

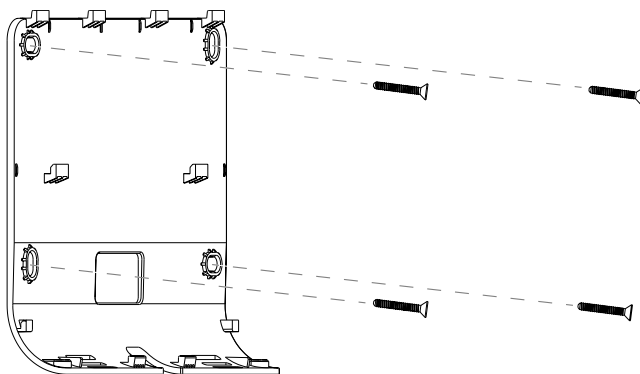
ES: Instale el soporte en la pared.

1



X 4  
( $\Phi 6 \times 30$  mm)

2



X 4  
(T4\*30 mm)

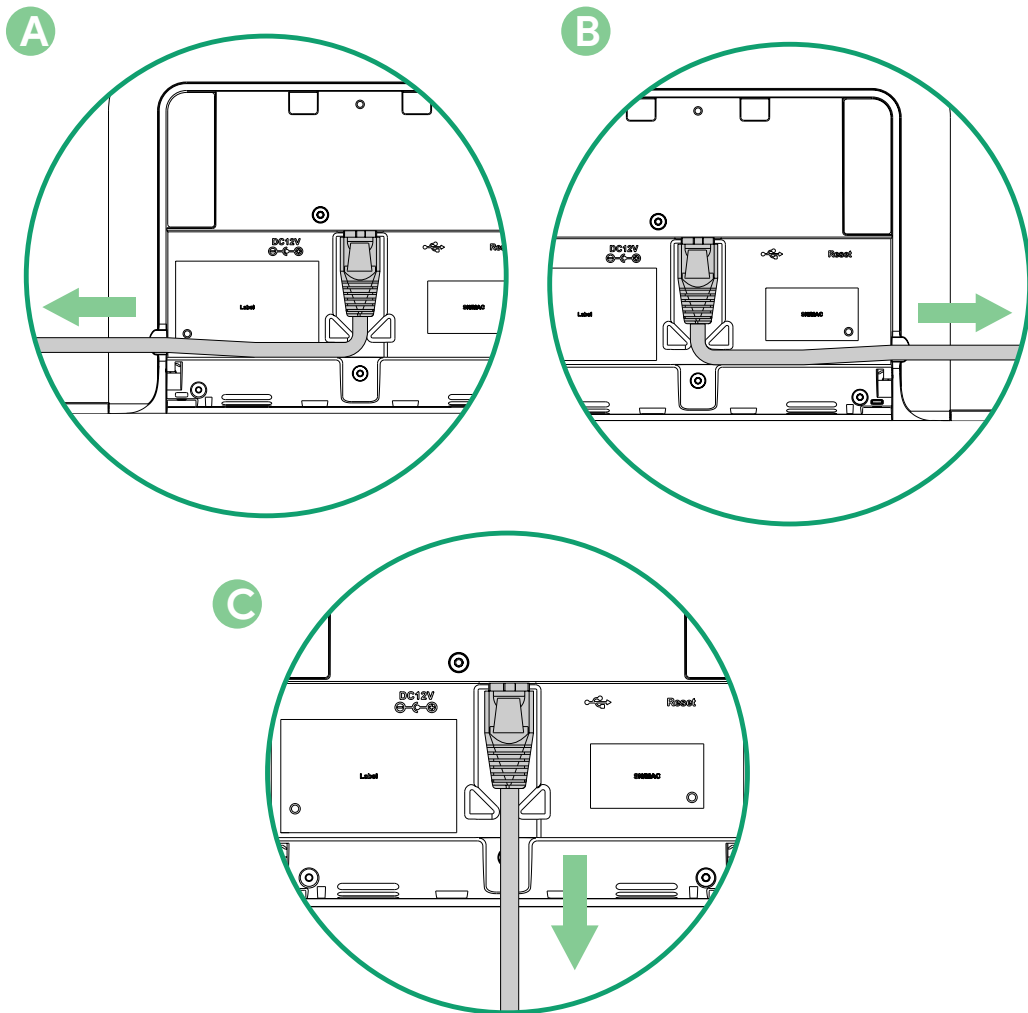
# 3 Connect the ethernet cable

CN: 布线。

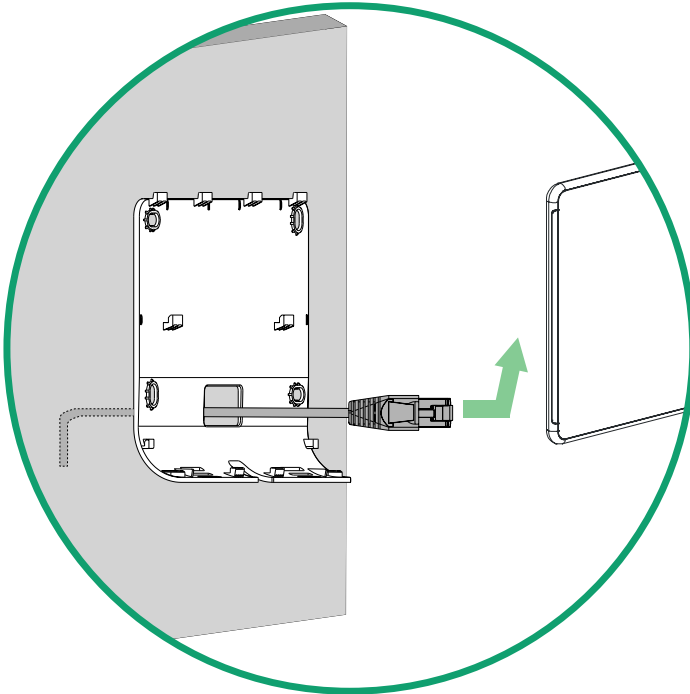
DE: Schließen Sie das Ethernet-Kabel an.

FR: Connectez le câble Ethernet.

ES: Conecte el cable Ethernet.



D



**i** Method D requires connecting cable first and then installing the bracket.

CN: D 方法需要先布线 (3) 再安装挂墙架 (1&2) 。

DE: Bei Methode D müssen Sie zuerst das Kabel anschließen und dann die Halterung montieren.

FR: La méthode D nécessite de connecter d'abord le câble et d'installer le support ensuite.

ES: El método D requiere conectar primero el cable y, posteriormente, instalar el soporte.

## 4 Place the RoomPanel Plus onto the bracket. When you hear a click, tighten the screw to fasten the device in place

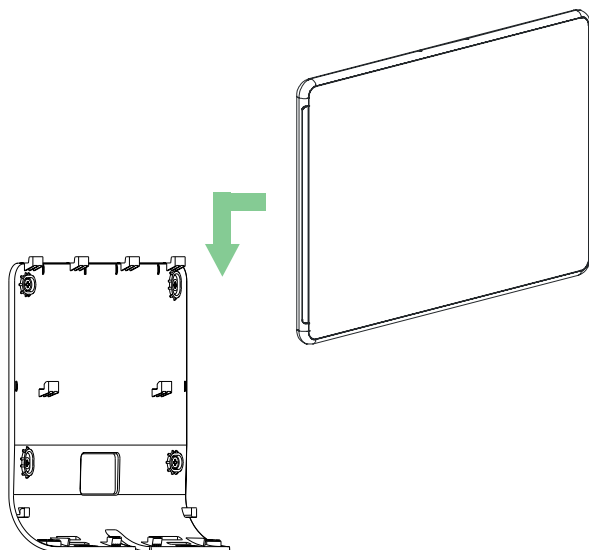
CN: 将 RoomPanel Plus 安装在挂墙支架上直到听见“咔嚓”声，并锁上底部螺丝。

DE: Setzen Sie das RoomPanel Plus auf die Halterung. Wenn Sie ein Klicken hören, ziehen Sie die Schraube an, um das Gerät zu befestigen.

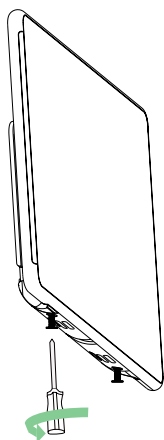
FR: Placez le RoomPanel Plus sur le support. Quand vous entendez un clic, serrez la vis pour fixer l'appareil en place.

ES: Coloque RoomPanel Plus en el soporte. Cuando escuche un clic, apriete el tornillo para sujetar el dispositivo en su sitio.

1



2



 X 2  
(M2\*4 mm)

## 4 Glass Wall Mounting

玻璃墙面安装 | Glaswandmontage | Montage sur paroi de verre |  
Montaje en pared de cristal



Video

1. Clean the glass surface before gluing the 3M tape.
2. Press the 3M tape firmly, ensuring it is securely stuck to the glass.
3. Wait 1 hour after gluing the mounting bracket and install the RoomPanel Plus next.

1. 在粘魔术贴之前先清洁玻璃的表面。
2. 紧紧按压魔术贴使其更牢固的贴紧玻璃。
3. 粘贴完毕后等待 1 小时再安装 RoomPanel Plus。

1. Reinigen Sie die Glasoberfläche, bevor Sie das 3M-Klebeband anbringen.
2. Drücken Sie das 3M-Klebeband fest an und vergewissern Sie sich, dass es sicher auf dem Glas haftet.
3. Warten Sie nach dem Aufkleben der Halterung 1 Stunde und montieren Sie dann das RoomPanel Plus.

1. Nettoyez la surface en verre avant de coller la bande 3M.
2. Appuyez fermement sur la bande 3M, en vous assurant qu'elle est bien collée au verre.
3. Attendez 1 heure après avoir collé le support de fixation, puis installez le RoomPanel Plus.

1. Limpie la superficie de cristal antes de pegar la cinta 3M.
2. Presione la cinta 3M con firmeza, asegurándose de que esté bien pegada al cristal.
3. Espere 1 hora después de pegar el soporte de montaje e instale RoomPanel Plus a continuación.

# 1 Glue the locating sticker to locate the installation position

CN: 安装辅助贴，定位安装位置。

DE: Bringen Sie den Positionierungsaufkleber an, um die Montageposition zu bestimmen.

FR: Fixez l'autocollant de repérage pour localiser la position d'installation.

ES: Pegue el adhesivo de ubicación para localizar la posición de instalación.

Take 20° mount bracket as an example for reference.

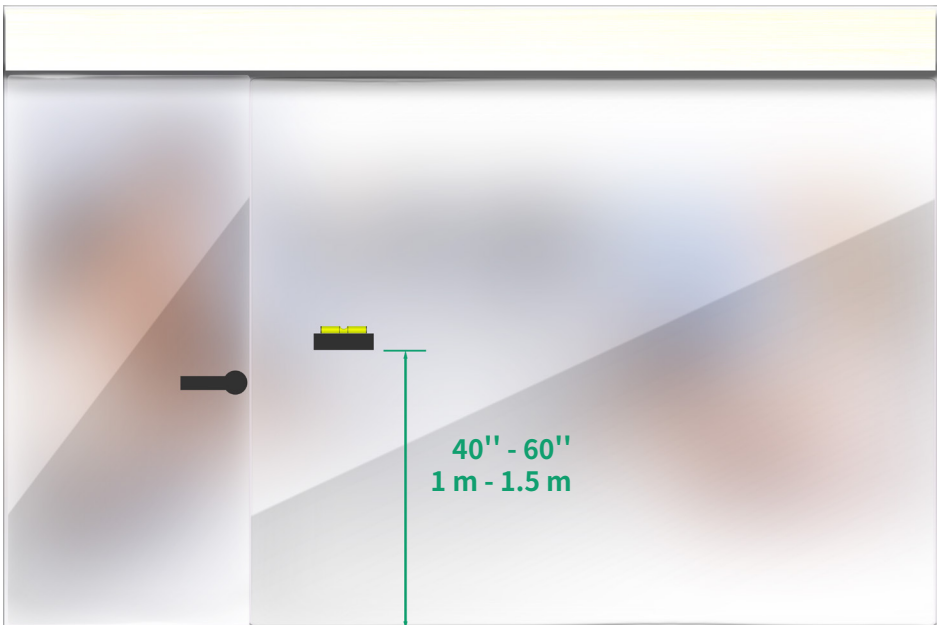
CN: 以 20° 挂墙架举例说明。

DE: Nehmen Sie beispielsweise die 20°-Halterung als Referenz.

FR: Référez-vous au support à 20° comme exemple.

ES: Tome el soporte de 20° como ejemplo de referencia.

Not included: Level instrument  
需自备：水平仪  
Nicht enthalten: Richten Sie das Gerät aus  
Mette l'instrument de niveau non fourni  
No se incluye: Instrumento de nivel



## 2 Glue the mount bracket to the glass

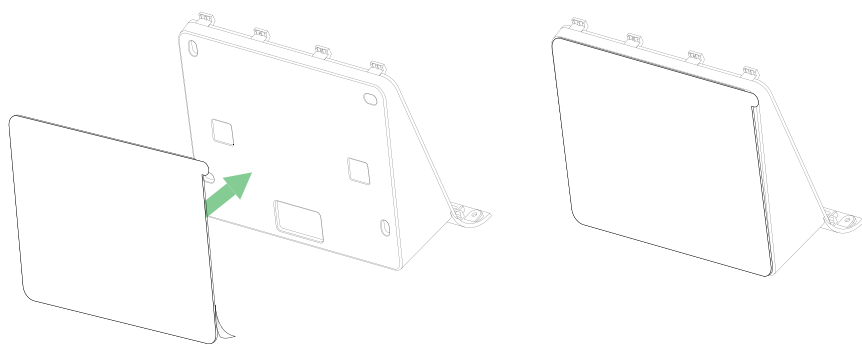
CN: 将挂墙架粘贴在玻璃上。

DE: Kleben Sie die Halterung auf das Glas.

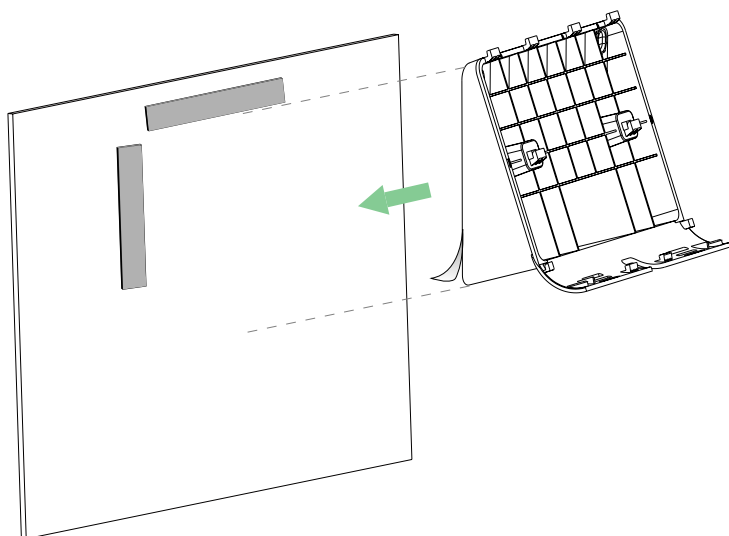
FR: Collez le support sur le verre.

ES: Pegue el soporte al cristal.

1



2



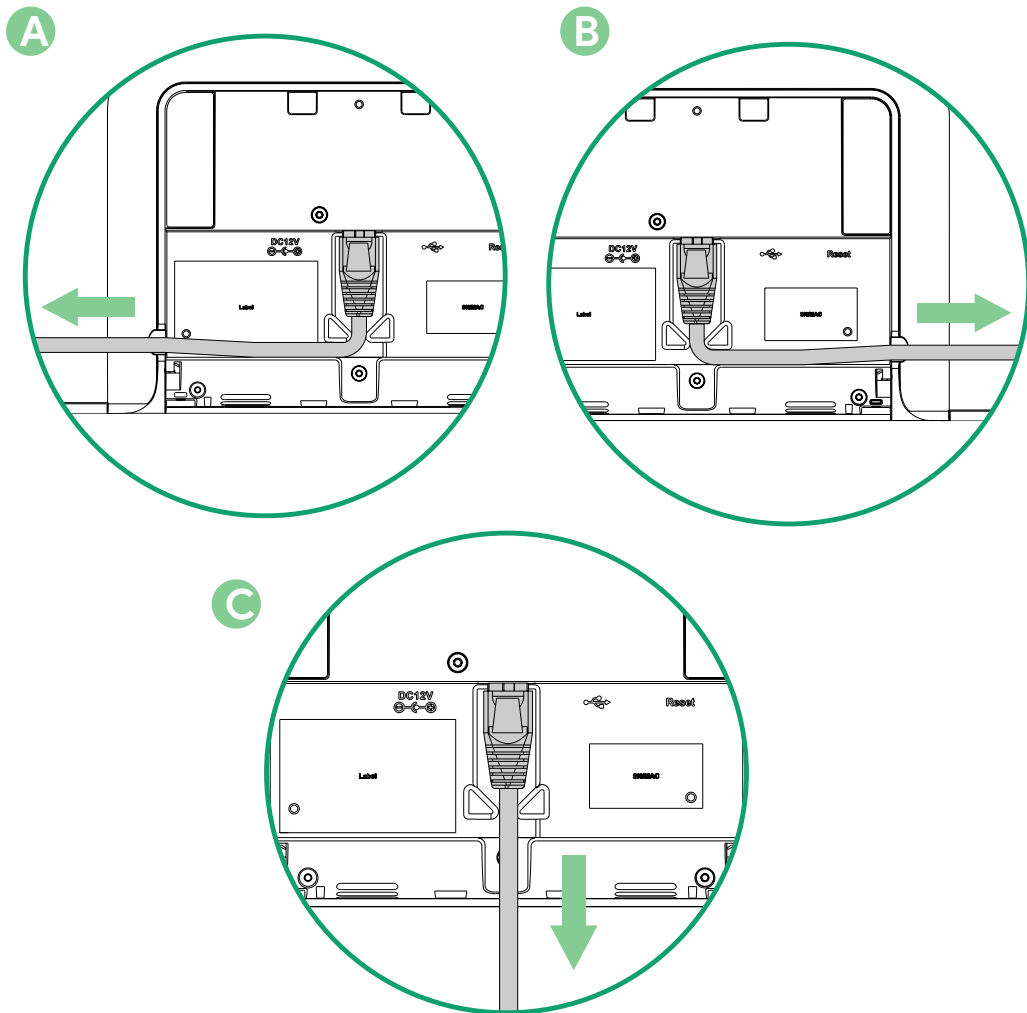
# 3 Connect the ethernet cable

CN: 布线。

DE: Schließen Sie das Ethernet-Kabel an.

FR: Connectez le câble Ethernet.

ES: Conecte el cable Ethernet.





## 4 Place the RoomPanel Plus onto the bracket. When you hear a click, tighten the screw to fasten the device in place

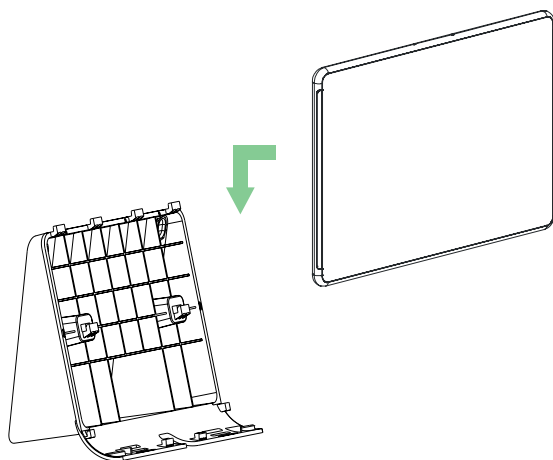
CN: 将 RoomPanel Plus 安装在挂墙支架上直到听见“咔嚓”声，并锁上底部螺丝。

DE: Setzen Sie das RoomPanel Plus auf die Halterung. Wenn Sie ein Klicken hören, ziehen Sie die Schraube an, um das Gerät zu befestigen.

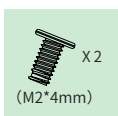
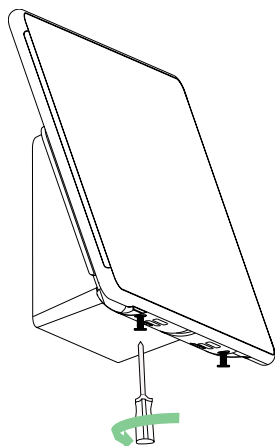
FR: Placez le RoomPanel Plus sur le support. Quand vous entendez un clic, serrez la vis pour fixer l'appareil en place.

ES: Coloque RoomPanel Plus en el soporte. Cuando escuche un clic, apriete el tornillo para sujetar el dispositivo en su sitio.

1



2



## 5 Glue the glass sticker on the back of the glass to maintain the aesthetics (Optional)

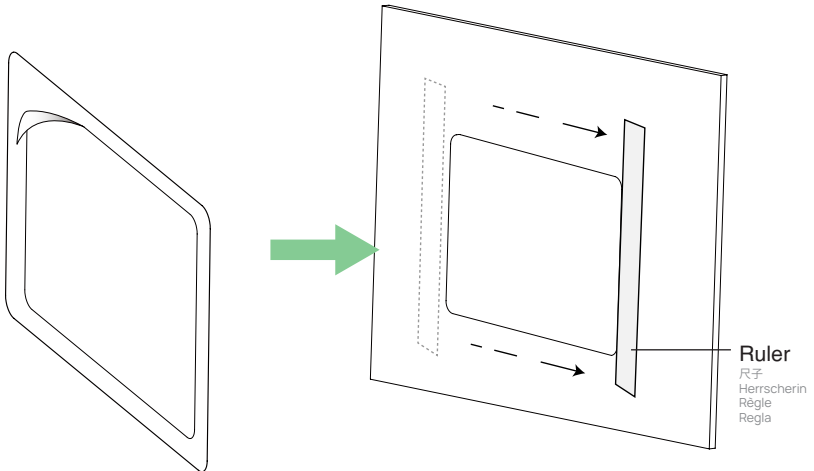
CN: 在玻璃背部粘贴玻璃贴，保持美观（可选）。

DE: Bringen Sie den Glasaufkleber auf der Rückseite des Glases an, um die Ästhetik zu erhalten (optional).

FR: Fixez l'autocollant de l'autre côté de la paroi en verre pour en préserver l'esthétique (facultatif).

ES: Pegue el adhesivo para cristal en la parte posterior del cristal para mantener la estética (opcional).

Not included: Ruler  
需自备：尺子  
Nicht enthalten: Herrscherin  
Règle non fourni  
No se incluye: Regla



# 5 Mullion Mounting

竖框安装 | Pfostenmontage | Montage des meneaux | Montaje de parteluz



Video

## 1 Locate the installation position

CN: 定位安装位置。

DE: Bringen Sie den Positionierungsaufkleber an, um die Montageposition zu bestimmen.

FR: Fixez l'autocollant de repérage pour localiser la position d'installation.

ES: Pegue el adhesivo de ubicación para localizar la posición de instalación.

Take 0° mount bracket as an example for reference.

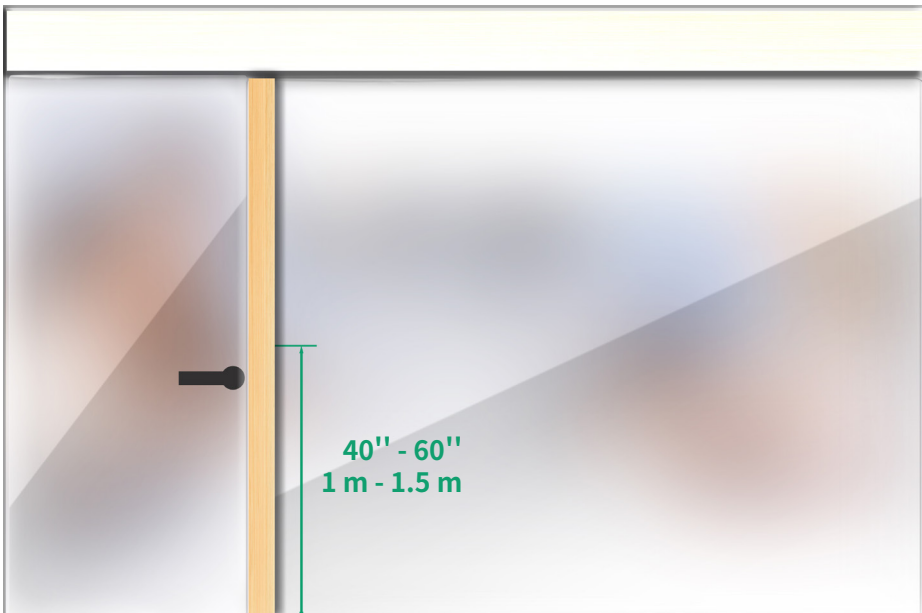
CN: 以 0° 挂墙架举例说明。

DE: Nehmen Sie beispielsweise die 0°-Halteung als Referenz.

FR: Référez-vous au support à 0° comme exemple.

ES: Tome el soporte de 0° como ejemplo de referencia.

Not included: Level instrument  
需自备: 水平仪  
Nicht enthalten: Richten Sie das Gerät aus  
Mettre l'instrument de niveau non fourni  
No se incluye: Instrumento de nivel



## 2 Install the mullion mount bracket and attach the bracket

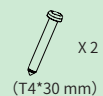
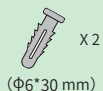
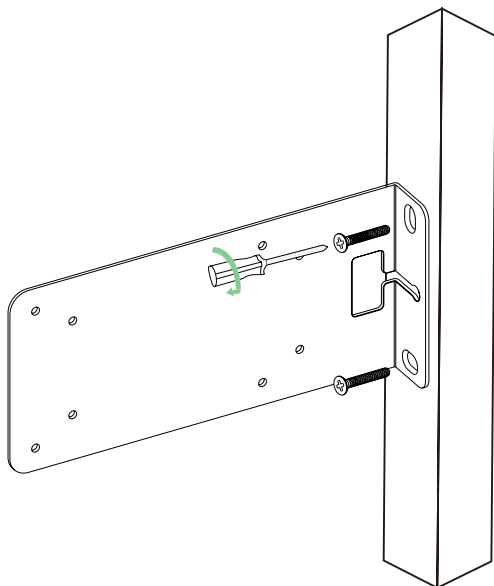
CN: 安装竖框挂架，并将挂墙架安装至金属挂架上。

DE: Montieren Sie die Metallhalterung und befestigen Sie die Halterung.

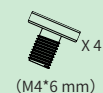
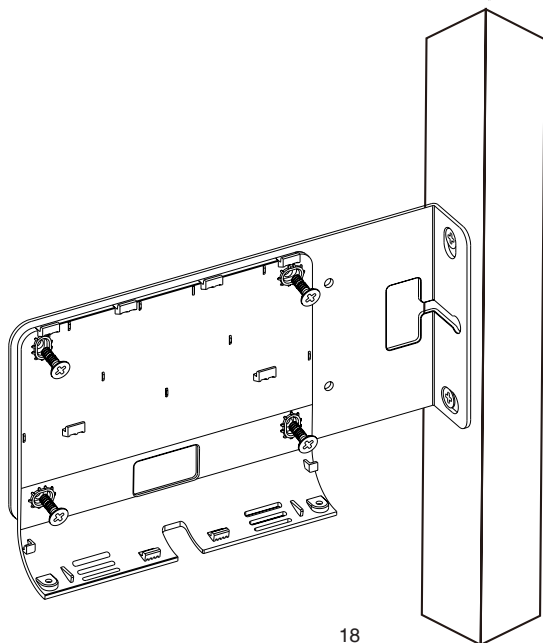
FR: Installez le support métallique et attachez-y le support.

ES: Instale el soporte de metal y fije el soporte.

1



2



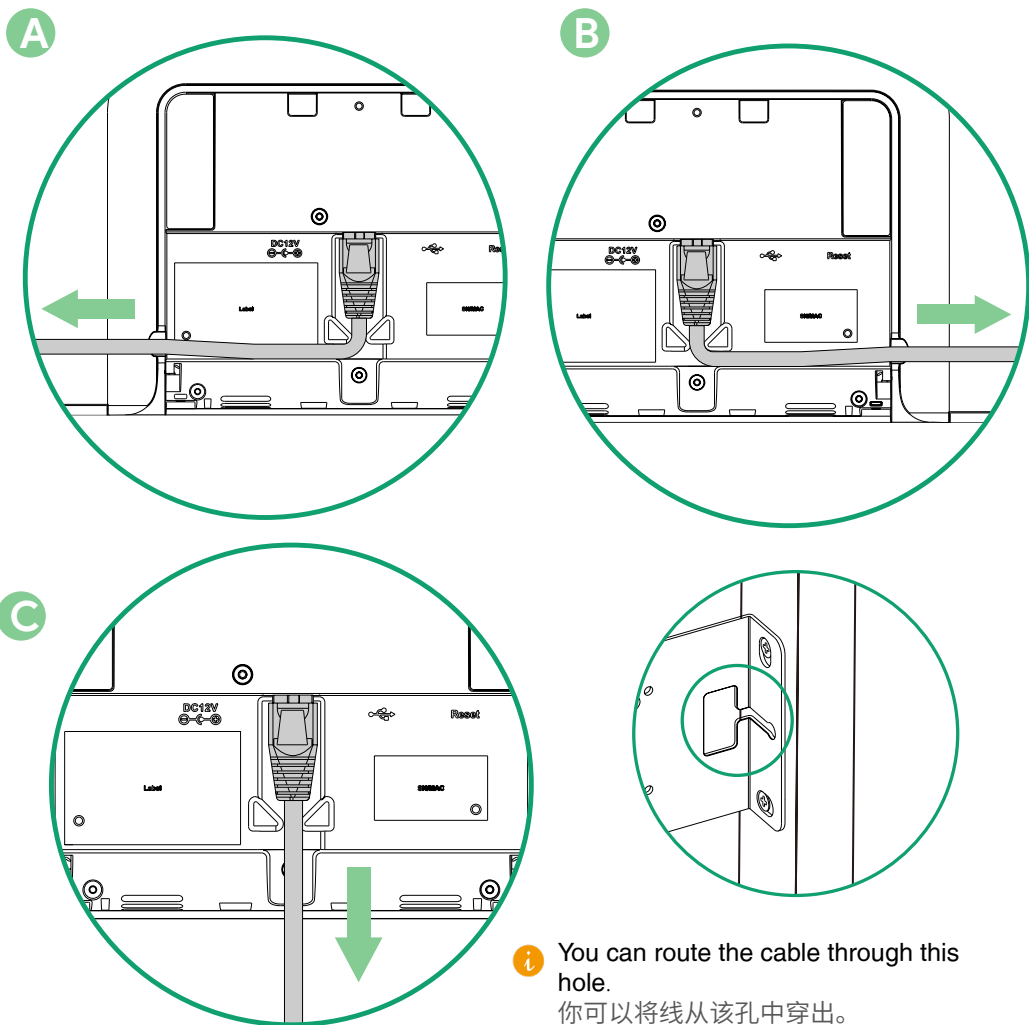
### 3 Connect the ethernet cable

CN: 布线。

DE: Schließen Sie das Ethernet-Kabel an.

FR: Connectez le câble Ethernet.

ES: Conecte el cable Ethernet.



- i** You can route the cable through this hole.  
你可以将线从该孔中穿出。  
Durch dieses Loch können Sie das Kabel führen.  
Vous pouvez acheminer le câble à travers ce trou.  
Puede pasar el cable a través de este orificio.

## 4 Place the RoomPanel Plus onto the bracket. When you hear a click, tighten the screw to fasten the device in place

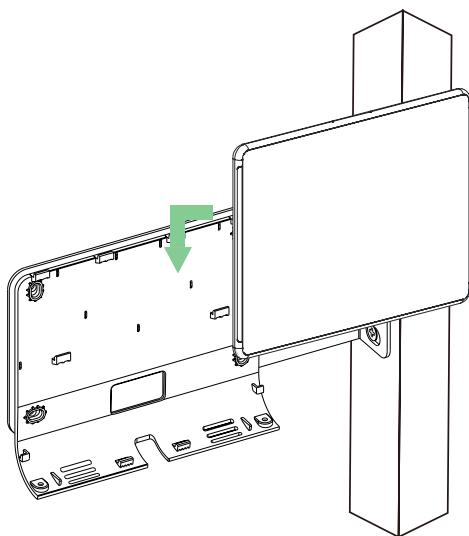
CN: 将 RoomPanel Plus 安装在挂墙支架上直到听见“咔嚓”声，并锁上底部螺丝。

DE: Setzen Sie das RoomPanel Plus auf die Halterung. Wenn Sie ein Klicken hören, ziehen Sie die Schraube an, um das Gerät zu befestigen.

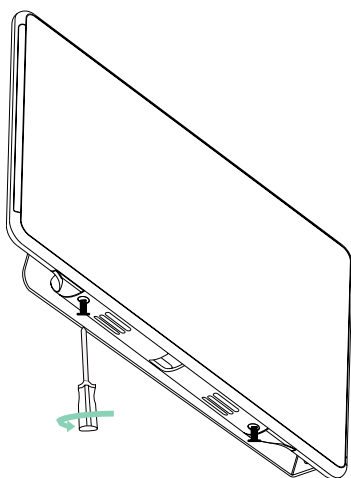
FR: Placez le RoomPanel Plus sur le support. Quand vous entendez un clic, serrez la vis pour fixer l'appareil en place.

ES: Coloque RoomPanel Plus en el soporte. Cuando escuche un clic, apriete el tornillo para sujetar el dispositivo en su sitio.

1



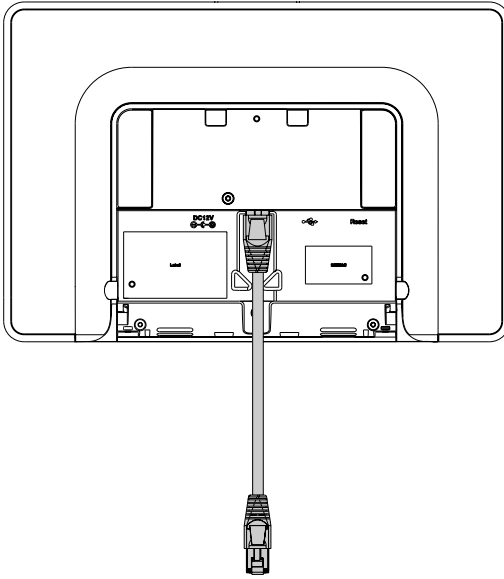
2



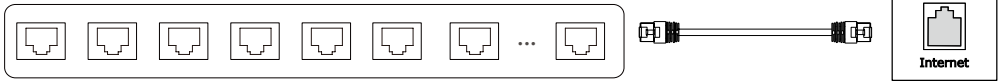
X2  
(M2\*4 mm)

# Connection

供电供网 | DC Stromversorgung | Option Alimentation secteur | Opción de energía



Not included: ethernet Cable  
需自备：网线  
Nicht enthalten: Ethernet-Kabel  
Câble Ethernet non fourni  
No se incluye: cable Ethernet



IEEE 802.3af compliant PoE Hub/Switch  
IEEE 802.3af 标准 PoE 交换机  
PoE Netzwerk-Switch  
Hub/Interrupteur PoE conforme à la norme IEEE 802.3af  
Hub/Switch PoE conforme a IEEE 802.3af

- The device supports the wireless network.
- You can also connect the power cable and network cable to supply power and internet.
- 设备支持连接无线网络。
- 你也可以连接电源线和网线对主机供电供网。
- Das Gerät unterstützt Drahtlosnetzwerke.
- Sie können auch das Stromkabel und das Netzkabel anschließen, um das Gerät mit Strom und Internet zu versorgen.
- L'appareil prend en charge le réseau sans fil.
- Vous pouvez également brancher le câble d'alimentation et le câble réseau pour fournir l'alimentation et Internet.
- El dispositivo es compatible con la red inalámbrica.
- También puede conectar el cable de alimentación y el cable de red para suministrar energía y conexión a Internet.

## Regulatory Notices

### Operating Ambient Temperatures

- Operating temperature: +32 to 113°F (0 to 45°C)
- Relative humidity: 5% to 90%, noncondensing
- Storage temperature: -22 to +158°F (-30 to +70°C)

### Warranty

Our product warranty is limited only to the unit itself, when used normally in accordance with the operating instructions and the system environment. We are not liable for damage or loss resulting from the use of this product, or for any claim from a third party. We are not liable for problems with Yealink device arising from the use of this product; we are not liable for financial damages, lost profits, claims from third parties, etc., arising from the use of this product.

### DC symbol

 is the DC voltage symbol.

### Restriction of Hazardous Substances Directive (RoHS)

This device complies with the requirements of the EU RoHS Directive. Statements of compliance can be obtained by contacting support@yealink.com.

### Safety Instructions

Save these instructions. Read these safety instructions before use!

The following basic safety precautions should always be followed to reduce risk of fire, electrical shock, and other personal injury.

#### General Requirements

- Before you install and use the device, read the safety instructions carefully and observe the situation during operation.
- The main plug is used as disconnect device, the socket-outlet should be near the Switching Adapter and it should be easily accessible.
- During the process of storage, transportation, and operation, please always keep the device dry and clean.
- During the process of storage, transportation, and operation, please avoid collision and crash of the device.
- Please attempt not to dismantle the device by yourself. In case of any discrepancy, please contact the appointed maintenance center for repair.
- Without prior written consent, no organization or individual is permitted to make any change to the structure or the safety design of the device. Yealink is under no circumstance liable to consequences or legal issues caused by such changes.
- Please refer to the relevant laws and statutes while using the device. Legal rights of others should be respected as well.

#### Environmental Requirements

- Do not cover ventilation openings, this equipment is not intended to be used on soft support.
- The marking information is located at the exterior of the bottom. Place the device at a well-ventilated place. Do not expose the device under direct sunlight.
- Keep the device dry and free of dusts.
- Place the device on a stable and level platform.
- Please place no heavy objects on the device in case of damage and deformation caused by the heavy load.
- Keep at least 10 cm between the device and the closest object for heat dissipation.
- Do not place the device on or near any inflammable or fire-vulnerable object, such as rubber-made materials.
- Keep the device away from any heat source or bare fire, such as a candle or an electric heater.
- Keep the device away from any household appliance with strong magnetic field or electromagnetic field, such as a microwave oven or a refrigerator.

#### Operating Requirements

- Do not let a child operate the device without guidance.
- Do not let a child play with the device or any accessory in case of accidental swallowing.
- Please use the accessories provided or authorized by the manufacturer only.
- The power supply of the device shall meet the requirements of the input voltage of the device. Please use the provided surge protection power socket only.
- Before plugging or unplugging any cable, make sure that your hands are completely dry.
- Do not spill liquid of any kind on the product or use the equipment near water, for example, near a bathtub, washbowl, kitchen sink, wet basement or near a swimming pool.

- Do not tread on, pull, or over-bend any cable in case of malfunction of the device.
- During a thunderstorm, stop using the device and disconnect it from the power supply. Unplug the power plug and the Asymmetric Digital Subscriber Line (ADSL) twisted pair (the radio frequency cable) to avoid lightning strike.
- If the device is left unused for a rather long time, disconnect it from the power supply and unplug the power plug.
- When there is smoke emitted from the device, or some abnormal noise or smell, disconnect the device from the power supply, and unplug the power plug immediately. Contact the specified maintenance center for repair.
- Do not insert any object into equipment slots that is not part of the product or auxiliary product.
- Before connecting a cable, connect the grounding cable of the device first. Do not disconnect the grounding cable until you disconnect all other cables.

#### Cleaning Requirements

- Before cleaning the device, stop using it and disconnect it from the power supply.
- Use a piece of soft, dry and antistatic cloth to clean the device.
- Keep the power plug clean and dry. Using a dirty or wet power plug may lead to electric shock or other perils.

#### ENVIRONMENTAL RECYCLING

##### Never dispose of the device with domestic waste

Ask your Town Council about how to dispose of it in an environmentally friendly way. The cardboard box, plastic packaging and player components may be recycled in accordance with prevailing recycling regulations in your country.



##### Always adhere to prevailing regulations

Those who fail to do so may be fined or prosecuted in accordance with the law. The crossed out garbage can that appears on the device means that when it has reached the end of its useful life, it should be taken to a special waste disposal centre and treated separately to general urban waste.

**EU Regulatory Information**  
Support Frequency Bands and Power:  
NFC 13.56MHz <420µA/m @10m  
Bluetooth 2.4GHz: 20 dBm  
WiLAN 2.4 GHz < 20 dBm;  
WiLAN 5150-5250 MHz < 23 dBm;  
WiLAN 5250-5350 MHz < 20 dBm;  
WiLAN 5470-5720 MHz < 27 dBm;  
WiLAN 5745-5825 MHz < 14 dBm.



AT	BE	CY	CZ	DK	EE	FI
FR	DE	EL	HU	IE	IT	LV
LT	LU	MT	NL	PL	PT	SK
SI	ES	SE	UK	BG	RO	HR

In all EU member states, operation of 5150-5250 MHz is restricted to indoor use only.

### Troubleshooting

The unit cannot supply power to Yealink device.

There is a bad connection with the plug.

1. Clean the plug with a dry cloth.
2. Connect it to another wall outlet.

The usage environment is out of operating temperature range.

1. Use in the operating temperature range.

The cable between the unit and the Yealink device is connected incorrectly.

1. Connect the cable correctly.

You cannot connect the cable properly.

1. You may have connected a wrong Yealink device.

2. Use the correct power supply.

Some dust, etc., may be in the port.

1. Clean the port.

Contact your dealer or authorized service facility for any further questions.

### Contact Information

YEALINK NETWORK TECHNOLOGY CO. LTD.  
No.666 Hu'an Rd,Huli District Xiamen City, Fujian, P.R.C  
YEALINK (EUROPE) NETWORK TECHNOLOGY B.V.  
Sir Winston Churchillin 299 k, 2288DC Rijswijk  
YEALINK (USA) NETWORK TECHNOLOGY CO., LTD.  
999 Peachtree Street Suite 2300, Fulton, Atlanta, GA, 30309, USA  
Made in China



## Sicherheitshinweise

### Betriebsumgebungstemperaturen

- Betriebstemperatur: -10 bis 40 °C
- Relative Luftfeuchtigkeit: 5 % bis 90 %, nicht kondensierend
- Lagertemperatur: -30 bis +70 °C

### Garantie

Unsere Produktgarantie ist auf das Gerät selbst beschränkt, wenn es normal und gemäß den Betriebsanweisungen und der Systemumgebung verwendet wird. Wir sind weder für Schäden oder Verluste haftbar, die aus der Verwendung dieses Produkts entstehen, noch für Ansprüche eines Dritten. Wir sind nicht haftbar für Probleme mit dem Yealink Gerät, die aus der Verwendung dieses Produkts entstehen. Wir sind nicht haftbar für finanzielle Schäden, Gewinnverluste, Ansprüche Dritter etc., die aufgrund der Verwendung dieses Produkts entstehen.

### Symbol DC

— ist das Symbol für DC-Spannung.

### Richtlinie zur Beschränkung der Verwendung bestimmter gefährlicher Stoffe in Elektro- und Elektronikgeräten (RoHS)

Das Gerät erfüllt die Anforderungen der RoHS-Richtlinie der EU. Für Bestätigungen der Einhaltung können Sie sich an support@yealink.com wenden.

### Sicherheitshinweise

Bewahren Sie diese Anweisungen auf. Lesen Sie diese Sicherheitshinweise vor der Verwendung!

Die folgenden grundlegenden Vorsichtsmaßnahmen müssen zur Vermeidung von Bränden, Stromschlag und anderen Verletzungen immer befolgt werden.

#### Allgemeine Vorschriften

- Lesen Sie vor der Installation und Verwendung des Geräts die Sicherheitshinweise sorgfältig durch und beobachten Sie die Situation im Betrieb.
- Halten Sie das Gerät während der Lagerung, dem Transport und dem Betrieb stets sauber und trocken.
- Vermeiden Sie während der Lagerung, dem Transport und dem Betrieb stets Zusammenprallen und Stürze des Geräts.
- Versuchen Sie nicht das Gerät eigenständig zu demontieren. Wenden Sie sich im Falle von Mängeln an das zuständige Wartungszentrum für eine Reparatur.
- Ohne vorherige schriftliche Zustimmung dürfen weder Unternehmen noch Einzelpersonen Änderungen an der Struktur oder dem Sicherheitskonzept des Geräts vornehmen. Yealink übernimmt unter keinen Umständen die Haftung für Folgen oder Rechtsansprüche, die auf solche Änderungen zurückzuführen sind.
- Beachten Sie bitte die entsprechenden Gesetze und Vorschriften bei der Verwendung des Geräts. Die gesetzlichen Rechte Dritter müssen ebenfalls beachtet werden.

#### Umweltvorschriften

- Stellen Sie das Gerät an einem gut belüfteten Ort auf. Setzen Sie das Gerät nicht direkter Sonneneinstrahlung aus.
- Halten Sie das Gerät trocken und frei von Staub.
- Stellen Sie das Gerät auf einen stabilen, ebenen Untergrund.
- Bitte legen Sie keine schweren Gegenstände auf das Gerät, da Beschädigung und Verformungen durch zu hohe Last möglich sind.
- Halten Sie mindestens 10 cm Abstand zwischen dem Gerät und dem nächsten Objekt ein, um die Wärmeabfuhr zu gewährleisten.
- Stellen Sie das Gerät nicht auf oder in der Nähe von entflammbarem oder brandgefährdeten Objekt wie Gummimaterialien auf.
- Halten Sie das Gerät fern von Hitzequellen und offenem Feuer, wie Kerzen oder einer elektrischen Heizung.
- Halten Sie das Gerät fern von jedem Haushaltsgerät mit starkem Magnetfeld oder Elektromagnetfeld, z.B. einem Mikrowellenherd oder einem Kühlschrank.

#### Betriebsvorschriften

- Lassen Sie das Gerät nicht ohne Aufsicht durch ein Kind verwenden.
- Lassen Sie kein Kind mit dem Gerät oder einem Zubehörteil spielen, da Kleinteile verschluckt werden können.
- Bitte verwenden Sie ausschließlich Zubehör, das vom Hersteller bereitgestellt oder genehmigt wurde.
- Die Stromversorgung des Geräts muss den Anforderungen der Eingangsspannung des Gerätes entsprechen. Bitte verwenden Sie ausschließlich den bereitgestellten Überspannungsschutz an der Steckdose.
- Achten Sie vor dem Anschließen oder Abziehen des Kabels darauf, dass Ihre Hände vollständig trocken sind.


- Verschütten Sie keine Flüssigkeiten auf das Gerät und verwenden Sie es nicht in der Nähe von Wasser, beispielsweise in der Nähe einer Badewanne, Waschschüssel, einem Spülbecken, in einem leuchten Keller oder in der Nähe eines Schwimmbekens.
- Treten Sie nicht auf das Kabel, ziehen und verbiegen Sie es nicht, da es dadurch zu einer Fehlfunktion des Geräts kommen kann.
- Schalten Sie das Gerät bei Gewitter aus und trennen Sie es von der Stromversorgung. Ziehen Sie das Netzkabel und das ADSL-Twisted-Pair-Kabel (Festnetz-Kabel) zur Vermeidung eines Blitzschlags.
- Wenn das Gerät längere Zeit ungenutzt bleibt, trennen Sie es von der Stromversorgung und ziehen Sie den Netzstecker.
- Wenn Rauch oder ungewöhnliche Geräusche oder Gerüche aus dem Gerät austreten, trennen Sie das Gerät sofort von der Stromversorgung und ziehen Sie das Netzkabel. Wenden Sie sich an das angegebene Wartungszentrum für eine Reparatur.
- Führen Sie keine Gegenstände in Einschiebe- oder Anschlussöffnungen des Geräts ein, die kein Bestandteil des Produktes oder ein Zubehörteil sind.
- Schließen Sie zuerst das Erdungskabel des Geräts an, bevor Sie ein Kabel anschließen. Trennen Sie das Erdungskabel nicht, bis nicht alle anderen Kabel entfernt wurden.

#### Reinigungsvorschriften

- Bevor Sie das Gerät reinigen, schalten Sie es aus und trennen Sie es von der Stromversorgung.
- Verwenden Sie ein Stück trockenes, weiches und antistatisches Tuch zum Reinigen des Geräts.
- Halten Sie das Netzkabel sauber und trocken. Über einen schmutzigen oder nassen Netzstecker kann es zu einem elektrischen Schlag oder anderen Gefahren kommen.

#### UMWELTFREUNDLICHE VERWERTUNG

Entsorgen Sie das Gerät nicht mit dem Hausmüll.



Erkundigen Sie sich bei Ihrer Stadtverwaltung, wie Sie das Gerät umweltfreundlich entsorgen können. Pappkarton, Kunststoffverpackung und Bauteile des Gerätes können im Einklang mit den geltenden Vorschriften in Ihrem Land verwertet werden.

Halten Sie stets die geltenden Vorschriften ein.

Deren Nichtbeachtung kann eine Buße oder Verfolgung gemäß dem geltenden Recht nach sich ziehen. Die durchgestrichene Mülltonne auf dem Gerät bedeutet, dass das Gerät am Ende seiner Nutzungsdauer zu einer speziellen Elektroschrottsammelstelle gebracht und vom Hausmüll gesondert verarbeitet werden muss.

#### Fehlerbehebung

Die Einheit kann das Yealink Gerät nicht mit Strom versorgen.

Es gibt Probleme mit dem Steckanschluss.

1. Reinigen Sie den Stecker mit einem trockenen Tuch.
2. Schließen Sie ihn an einer anderen Steckdose an.

Die Umgebungstemperatur liegt oberhalb des Betriebstemperaturbereichs.

1. Verwenden Sie die Einheit innerhalb des Betriebstemperaturbereichs.
- Das Kabel zwischen der Einheit und dem Yealink Gerät ist nicht richtig angeschlossen.
1. Schließen Sie das Kabel richtig an.

Das Kabel lässt sich nicht richtig anschließen.

1. Sie haben möglicherweise ein falsches Yealink Gerät angeschlossen.
  2. Verwenden Sie die richtige Stromversorgung.
- Es befindet sich möglicherweise Staub etc. im Port.
1. Reinigen Sie den Port.

Setzen Sie sich bei weiteren Fragen mit Ihrem Händler oder Ihrer anerkannten Servicestelle in Verbindung.

Kontaktadressen des Ansprechpartners

YEALINK NETWORK TECHNOLOGY CO., LTD.

309, 3rd Floor, No. 16, Yun Ding North Road, Huli District, Xiamen City, Fujian, VR China

YEALINK (EUROPE) NETWORK TECHNOLOGY B.V.

Strawinskylaan 312Z, Atrium Building, 8th floor, 1077ZX Amsterdam, Niederlande

YEALINK (USA) NETWORK TECHNOLOGY CO., LTD.

999 Peachtree Street Suite 2300, Fulton, Atlanta, GA, 30309, USA

Hergestellt in China

## Consignes de sécurité

### Températures de fonctionnement ambiantes

- Température de fonctionnement : +14 à 113 °F (-10 à 40 °C)
- Humidité relative : 5 % à 90 %, sans condensation
- Température de stockage : -22 à +160 °F (-30 à +70 °C)

### Garantie

Notre garantie produit est limitée à l'appareil lui-même, lorsqu'il est utilisé normalement selon le mode d'emploi et l'environnement du système. Nous ne sommes pas responsables des dommages ou pertes découlant de l'utilisation de ce produit ou de toute réclamation d'un tiers. Nous ne sommes pas responsables des problèmes avec les appareils Yealink découlant de l'utilisation de ce produit. Nous ne sommes pas responsables pour les dommages financiers, pertes de profits, réclamations de tiers, etc. découlant de l'utilisation de ce produit.

### Symbole DC

— est le symbole de tension CC.

### Directive sur les substances dangereuses (RoHS)

Ce dispositif est conforme aux exigences de la directive RoHS de l'Union européenne. Vous pouvez obtenir les déclarations de conformité en envoyant un message à l'adresse : support@yealink.com.

### Consignes de sécurité

Gardez ces instructions. Lisez ces consignes de sécurité avant utilisation de l'appareil ! Les précautions de base suivantes doivent toujours être suivies pour réduire le risque d'incendie, d'électrocution et de blessures.

#### ⚠ Exigences générales

- Avant d'installer et d'utiliser l'appareil, lisez les consignes de sécurité et observez la situation pendant le fonctionnement.
- Lorsque l'appareil est rangé, transporté ou utilisé, veuillez le garder toujours propre et sec.
- Lorsque l'appareil est rangé, transporté ou utilisé, veuillez éviter tout choc ou toute collision.
- Ne tentez pas de désassembler vous-même l'appareil. En cas de mauvais fonctionnement, veuillez contacter le centre de service désigné.
- Sans consentement écrit préalable, aucune organisation ou individu n'est autorisé à apporter des changements à la structure ou au dispositif de sécurité de l'appareil. Yealink n'est en aucun cas responsable des conséquences ou des problèmes juridiques causés par ces changements.
- Veuillez vous référer aux lois et règlements pertinents lorsque l'appareil est utilisé. Les droits légaux des tiers doivent également être respectés.

#### ⚠ Exigences environnementales

- Placez l'appareil dans un espace correctement ventilé. N'exposez pas l'appareil à la lumière directe du soleil.
- Gardez l'appareil propre et sec.
- Placez l'appareil sur une surface stable et plate.
- Veuillez ne placer aucun objet lourd sur l'appareil risquant d'entraîner dégâts et déformations.
- Maintenez une distance d'au moins 10 cm entre l'appareil et l'objet le plus proche afin que la chaleur puisse se dissiper.
- Ne placez pas l'appareil sur ou à proximité de tout objet inflammable ou vulnérable au feu, comme des matériaux en caoutchouc.
- Gardez l'appareil loin de toute source de chaleur ou des flammes, comme une bougie ou un radiateur électrique.
- Gardez l'appareil loin de tout appareil électroménager avec un fort champ magnétique ou un champ électromagnétique, tel qu'un four à micro-ondes ou un réfrigérateur.

#### ⚠ Exigences d'utilisation

- Ne laissez pas des enfants utiliser l'appareil sans surveillance.
- Ne laissez pas les enfants jouer avec l'appareil ou ses accessoires pour éviter tout risque d'étouffement.
- Veuillez uniquement utiliser les accessoires fournis ou autorisés par le fabricant.
- L'alimentation de l'appareil doit satisfaire aux exigences de la tension d'entrée de l'appareil. Veuillez uniquement utiliser la prise protégée contre les surtensions fournie.

- Avant de brancher ou de débrancher tout câble, assurez-vous que vos mains sont complètement sèches.
- Ne renversez aucun liquide sur le produit et n'utilisez pas l'équipement près de l'eau, par exemple, près d'une baignoire, d'un lavabo, d'un évier, dans sous-sol humide ou près d'une piscine.
- Veuillez à ne pas marcher sur, tirer sur, ou plier les câbles de l'appareil, cela pourrait entraîner son mauvais fonctionnement.
- En cas d'orage, n'utilisez pas l'appareil et débranchez-le de son alimentation. Débranchez la prise d'alimentation et l'Asymmetric Digital Subscriber Line (ADSL) à paire torsadée (le câble de fréquence radio) pour éviter la foudre.
- Si l'appareil reste inutilisé pendant une longue période de temps, débranchez-le de l'alimentation électrique et débranchez le cordon d'alimentation.
- Si l'appareil émet de la fumée, des odeurs ou bruits anormaux, débranchez l'appareil de son alimentation et débranchez immédiatement le cordon d'alimentation. Pour toute réparation, contactez le centre de service spécifié.
- N'insérez aucun objet dans les fentes de l'appareil n'insérez rien dans le produit ou n'est pas un produit auxiliaire.
- Avant de brancher un câble, connectez d'abord le câble de mise à la terre du de l'appareil. Ne débranchez pas le câble de mise à la terre jusqu'à ce que tous les autres câbles aient été débranchés.

#### ⚠ Exigences de nettoyage

- Avant de nettoyer l'appareil, arrêtez de l'utiliser et déconnectez-le de son alimentation.
- Utilisez un chiffon doux, sec et antistatique pour nettoyer l'appareil.
- Maintenez la prise d'alimentation propre et sèche. Une prise sale ou humide peut causer des chocs électriques et autres dangers.

#### ⚠ RECYCLAGE ENVIRONNEMENTAL

##### Ne jetez pas cet appareil avec les déchets ménagers

Contactez vos collectivités locales pour savoir comment l'éliminer de façon écologique. La boîte en carton, l'emballage en plastique et les composants de l'appareil peuvent être recyclés conformément à la réglementation en vigueur dans votre pays.

##### Respectez toujours la réglementation en vigueur

Les personnes qui enfreignent sont passibles de poursuites judiciaires. Le symbole de poubelle barrée apposé sur l'appareil signifie que lorsque celui-ci a atteint sa fin de vie utile, il doit être amené à un centre de traitement des déchets spécial et traité séparément des déchets ménagers ordinaires.

#### Dépannage

L'unité ne peut pas alimenter le dispositif de Yealink.  
Mauvaise connexion avec la fiche.

1. Nettoyez la fiche avec un chiffon sec.
2. Branchez-la sur une autre prise murale.

L'environnement d'utilisation est hors de la plage de températures de fonctionnement.

1. Utilisez l'appareil dans sa plage de températures de fonctionnement.

Le câble entre l'appareil et le dispositif Yealink est mal branché.

1. Branchez le câble correctement.
2. Utilisez une source d'alimentation appropriée.

Le port contient peut être de la poussière.

1. Nettoyez le port.

Contactez votre revendeur ou un réparateur agréé pour toute autre question.

#### Informations de contact

YEALINK NETWORK TECHNOLOGY CO., LTD.  
309, 3rd Floor, No.16, Yun Ding North Road, Huli District, Xiamen City, Fujian, Chine  
YEALINK (EUROPE) NETWORK TECHNOLOGY B.V.  
Strawinskylaan 3127, Atrium Building, 8th floor, 1077ZX Amsterdam, Pays-Bas  
YEALINK (USA) NETWORK TECHNOLOGY CO., LTD.  
999 Peachtree Street Suite 2300, Fulton, Atlanta, GA, 30309, États-Unis  
Fabriqué en Chine

## Istruzioni di sicurezza

### Temperature ambiente di funzionamento

- Temperatura di funzionamento: Da -10 a 40 °C (da +14 a 113 °F)
- Umidità relativa: dal 5 al 90% non condensante
- Temperatura di conservazione: da -30 a +70 °C (da -22 a 160 °F)

### Garanzia

La garanzia del nostro prodotto è limitata all'unità stessa, quando utilizzata normalmente in conformità alle istruzioni per il funzionamento e all'ambiente del sistema. Non ci assumiamo alcuna responsabilità di danni o perdite conseguenti all'uso di questo prodotto o di eventuali reclami di terzi. Non ci assumiamo responsabilità di problemi relativi ai dispositivi Yealink con seguiti all'uso di questo prodotto; non ci assumiamo responsabilità di economici, man cati profitti, reclami di terzi, ecc., conseguenti all'uso di questo prodotto.

### Simbolo CC

— — — è il simbolo della tensione CC.

### Direttiva RoHS (Restriction of Hazardous Substances)

Questo dispositivo è conforme ai requisiti della direttiva RoHS UE. È possibile ottenere le dichiarazioni di conformità contattandoci all'indirizzo support@yealink.com.

### Istruzioni per la sicurezza

Conservare le presenti istruzioni. Prima dell'uso leggere queste istruzioni per la sicurezza! Per ridurre il rischio di incendio, gravi lesioni alle persone o danni agli oggetti, leggere con attenzione le seguenti istruzioni per la sicurezza, prima di usare il prodotto.

#### Requisiti generali

- Prima di installare e usare il dispositivo, leggere con attenzione le istruzioni di sicurezza e osservare la situazione durante il funzionamento.
- Durante le procedure di archiviazione, trasporto e funzionamento, assicurarsi sempre che il dispositivo sia pulito e asciutto.
- Durante le procedure di archiviazione, trasporto e funzionamento, evitare la collisione e la caduta del dispositivo.
- Non smontare il dispositivo. In caso di malfunzionamento, contattare il centro di assistenza per la riparazione.
- Senza previo consenso, nessun'organizzazione o individuo può effettuare modifiche alla struttura o al design di sicurezza del dispositivo. Yealink non sarà ritenuta responsabile per conseguenze o problemi legali causati da tali modifiche.
- Fare riferimento alle norme e agli statuti durante l'uso del dispositivo. È necessario rispettare anche i diritti legali degli altri.

#### Requisiti ambientali

- Collocare il dispositivo in un luogo ben ventilato. Non esporre il dispositivo alla luce diretta del sole.
- Tenere il dispositivo asciutto e spolverato.
- Posizionare il dispositivo su una piattaforma piana e stabile.
- Si prega di non collocare oggetti pesanti sul dispositivo in caso di danni e di deformazioni causate da carichi pesanti.
- Tenere almeno 10 cm tra il dispositivo e l'oggetto più vicino, per consentire la dissipazione del calore.
- Non collocare il prodotto sopra o vicino a oggetti infiammabili o sensibili al fuoco, come ad esempio materiali in gomma.
- Tenere il dispositivo lontano da fonti di calore e fiamme libere, come candele o termostati elettrici.
- Tenere il dispositivo lontano da elettrodomestici con un forte campo magnetico o elettromagnetico, come microonde o frigoriferi.

#### Requisiti per il funzionamento

- Non consentire l'uso del dispositivo a un bambino senza supervisione.
- Non consentire a un bambino di giocare con il dispositivo o i suoi accessori, potrebbero essere ingoiati.
- Usare solo gli accessori forniti o autorizzati dal produttore.
- L'alimentazione del dispositivo deve rispondere ai requisiti del voltaggio d'ingresso del dispositivo. Si prega di utilizzare solo il dispositivo di protezione da sovratensione fornito.

- Prima di collegare o scollegare un cavo, accertarsi che le mani sia asciutte.
- Non versare liquidi o prodotti e non usare il dispositivo in prossimità dell'acqua, ad esempio vicino a una vasca da bagno, lavabo, lavandino, cantina umida o vicino a una piscina.
- Non tirare, strappare o piegare eccessivamente i cavi in caso di malfunzionamento del dispositivo.
- In caso di temporale, smettere di usare il dispositivo e scollegarlo dall'alimentazione. Scollegare la presa di corrente e il doppino della linea ADSL (il cavo di frequenza radio) per evitare fulmini.
- Se non si usa il dispositivo per un periodo di tempo prolungato, scollegarlo dalla corrente e staccare la spina.
- Se il dispositivo emette fumo, suoni o odori anormali, scollegarlo dall'alimentazione e staccare la spina immediatamente. Contattare il centro di manutenzione per la riparazione.
- Non inserire nel dispositivo oggetti che non sono componenti dello stesso o di prodotti ausiliari.
- Prima di collegare un cavo, collegare prima il cavo di massa. Non scollegare il cavo di massa finché non sono stati staccati tutti gli altri cavi.

#### Requisiti di pulizia

- Prima di pulire il dispositivo, arrestare l'uso e scollegarlo dall'alimentazione.
- Usare un panno morbido, asciutto e antistatico per pulire il dispositivo.
- Tenere la spina di alimentazione pulita e asciutta. Una spina di alimentazione sporca o umida può causare scosse elettriche o altri rischi.

#### AMBIENTE E RICICLAGGIO



#### Non smaltire questo dispositivo con i rifiuti domestici

Rivolgersi al comune di residenza per informazioni su come smaltirlo nel rispetto dell'ambiente. Il cartone e la plastica della confezione nonché i componenti del lettore devono essere riciclati rispettando la legislazione pertinente in vigore nel proprio Paese.

#### Attenersi sempre alle norme vigenti

Coloro che non rispettano tali norme potranno subire multe o essere perseguiti a norma di legge. Il simbolo del cassonetto barrato indica che al termine della sua vita utile il dispositivo dovrà essere consegnato presso un centro di raccolta per rifiuti speciali e riciclato separatamente dai normali rifiuti urbani.

#### Risoluzione dei problemi

L'unità non riesce ad alimentare al dispositivo Yealink.

Il collegamento con la spina non funziona.

1. Pulire la spina con un panno asciutto.
2. Collegarla a un'altra presa.

L'ambiente di utilizzo è al di fuori dell'intervallo di temperatura di funzionamento.

1. Utilizzare il dispositivo all'interno dell'intervallo di temperatura di funzionamento.

Il cavo tra l'unità e il dispositivo Yealink è collegato in modo errato.

1. Collegare il cavo correttamente.
2. Utilizzare l'alimentatore corretto.

Potrebbe essere presente polvere o altro nella porta.

1. Pulire la porta.

Non è possibile collegare il cavo correttamente.

Potrebbe essere stato collegato un dispositivo Yealink sbagliato.

Contattare il rivenditore o il servizio di assistenza autorizzato per ulteriori domande.

#### Informazioni di contatto

YEALINK NETWORK TECHNOLOGY CO., LTD.

309, 3rd Floor, No.16, Yun Ding North Road, Huli District, Xiamen City, Fujian, Repubblica Popolare cinese

YEALINK (EUROPE) NETWORK TECHNOLOGY B.V.

Strawinskylaan 3127, Atrium Building, 8th floor, 1077ZX Amsterdam, Paesi Bassi

YEALINK (USA) NETWORK TECHNOLOGY CO., LTD.

999 Peachtree Street Suite 2300, Fulton, Atlanta, GA, 30309, USA

Made in China

**About Yealink**

Yealink (Stock Code: 300628) is a global-leading provider of Unified Communication & Collaboration Solutions specialized in video conferencing, voice communications, and collaboration, dedicated to helping every person and organization embrace the power of "Easy Collaboration, High Productivity".

With best-in-class quality, innovative technology, and user-friendly experiences, Yealink is one of the best providers in more than 140 countries and regions, ranks No.1 in the global market share of IP Phone, and is the Top 5 leader in the video conferencing market (Frost & Sullivan, 2021).

**Technical Support**

Visit Yealink WIKI (<http://support.yealink.com/>) for firmware downloads, product documents, FAQ, and more. For better service, we sincerely recommend you to use Yealink Ticketing system (<https://ticket.yealink.com>) to submit all your technical issues.