

2D

WIRELESS BARCODE SCANNER

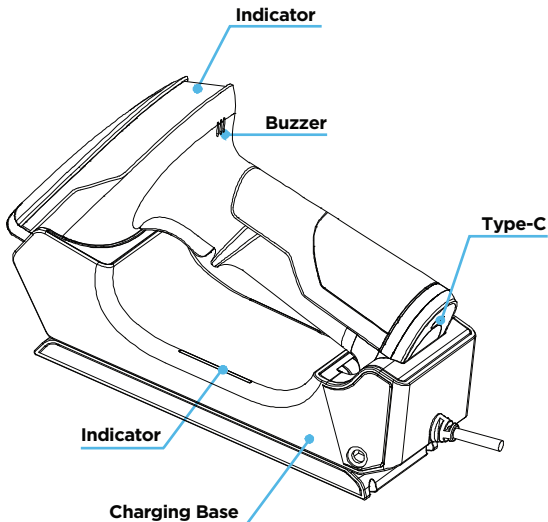
make scanning easy



SC430



PARTS INSTRUCTION

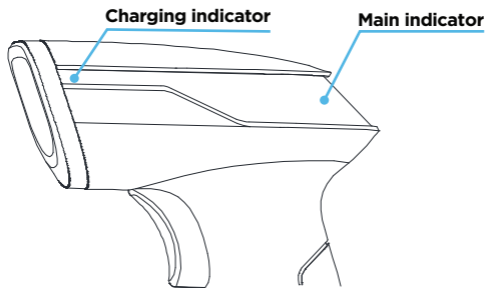


RECEIVER PAIRING



Scan the “Receiver Pairing Code ” on the base
Factory Default: barcode scanner paired with base

INDICATOR DESCRIPTION



Indicate Light Type	State	Light Indicator
Charging Indicator	charging	Green/Blue light flash
	full of charge	Green/Blue lighting on
Main Indicator	unpaired	Green/Blue light flash
	paring	Green/Blue fast flashing
	have been paired	Green/Blue lighting on
	scanning code successful	Green/Blue light flash one time
Receiver Indicator	have been paired	Green lighting on

PRODUCT INTRODUCTION

This is the simple user's manual, for detailed manual, please download from our website or contact the supplier. (With * is the Default Setting)



FACTORY DEFAULT

If scanner cannot be used normally due to an error setting, try to scan the “Factory Default”

Buzzer Description

VOICE TYPE	DETAILS DESCRIPTION
One medium long high voice	Green/Blue light flash
Three continuous short voice	Alarm prompt

WIRELESS TRANSMISSION MODE



*2.4G



BLUETOOTH



BLUETOOTH BLE



BLUETOOTH SPP

RECEIVER PAIRING



2.4G Receiver Pairing

Scanning the “Receiver Pairing” code, scanner will enter the automatic pairing mode for 1 minute, then re-insert the receiver to the host. There will be a sound heard when pairing successfully.



Bluetooth HID Pairing

Scan the “Bluetooth HID Pairing” barcode, the scanner is ready to be connected by other bluetooth devices.



Scanner Version Information

DATA TRANSFER MODE



*IMMEDIATE MODE



INVENTORY MODE



CLEAR ALL DATA



NUMBER OF STORED DATA



UPLOAD ALL DATA

INTERFACE TYPE



*USB - HID



USB VIRTUAL COM PORT

(Driver is needed for USB Virtual Com Port)

SLEEP TIME



SLEEP IMMEDIATELY



*1 MIN.



5 MIN.



30 MIN.

LANGUAGE



*USA



FRANCE



GERMANY



TURKEY Q



POLAND

LANGUAGE



BRAZIL



ITALY



SPAIN



UNIVERSAL LANGUAGE

***For more languages setting, please refer to the full manual**

TERMINATOR



NONE



*CR



LF



TAB





CR/LF

ONE
BRAND
ONE
SOLUTION



www.3nstar.com

  | 3nstar