



# NxSys AERO

GAMING CHAIR

## ASSEMBLY DRAWING

部件图示, 部件圖示



### THE NEXT SYSTEM

超乎想像的新一代设计, 超乎想像的新一代設計

The NxSys Aero is the Next System of comfort, cooling and style. Stay cool and comfortable with our active cooling technology, flexible mesh backrest, and magnetic head pillow cushion. Effortless command your environment with a discreet power bank and intuitive controls. The future is now, and it's perfect.

NeSys Aero采用新一代设计, 重新诠释舒适、凉爽与时尚, 以通风网布制成的椅背内建 200mm ARGB 风扇, 凉风让乘坐时减少闷热感, 随附磁吸式头枕与风扇控制器, 连接行动电源即可控制风速与灯效, 打造最佳游戏环境不费力, 随即享受完美新一代设计!

NeSys Aero採用新一代設計, 重新詮釋舒適、涼爽與時尚, 以通風網布製成的椅背內建 200mm ARGB 風扇, 涼風讓乘坐時減少悶熱感, 隨附磁吸式頭枕與風扇控制器, 連接行動電源即可控制風速與燈效, 打造最佳遊戲環境不費力, 隨即享受完美新一代設計!

### FEATURES 产品特点, 產品特點

**ENGLISH**

- Stylish and athletic appearance
- Innovative elastomeric mesh
- Integrated 200mm ARGB fan
- Magnetic head cushion and lumbar pillow
- Breathable PVC leather
- Sturdy steel frame
- Adjustable 3D armrest
- Durable metal base

**FRANÇAIS**

- Apparence élégante et athlétique
- MAISE ÉLASTOMIRE INNOVANT
- Ventilateur argb intégré de 200 mm
- Coussin de tête magnétique et oreiller lombaire
- Cuir PVC respirant
- Cadre en acier robuste
- Accoudoir 3D réglable
- Base métallique durable

**РУССКИЙ**

- Стильный и спортивный вид
- Инновационная эластомерная сетка
- Интегрированный 200 -мм вентилятор ARGB
- Магнитная подушка головы и поясничная подушка
- Дышащая высокопрочная ПВХ-кожа
- Прочная стальная рама
- Регулируемый 3D AngRest
- Прочная металлическая основа

**KOREAN**

- 세련되고 운동적인 외관
- 혁신적인 엘라스토머 메쉬
- 통합 200mm Argb 팬
- 자기 헤드 쿠션과 요추 베개
- 통기성 PVC 가죽
- 튼튼한 강철 프레임
- 조절 가능한 3D 팔걸이
- 내구성 있는 금속 베이스

**DEUTSCH**

- Stilvolles und sportliches Aussehen
- Innovatives Elastomer -Netz
- Integrierter 200 -mm -Argb -Fan
- Magnetkopfkissen und Lendenkissen
- Atmungsaktives PVC -Leder
- Stabiler Stahlrahmen
- Einstellbare 3D -Armlehne
- Langlebige Metallbasis

**日本語**

- スタイリッシュでアスレチックな外観
- 革新的なエラストマーメッシュ
- 統合された200mm Argbファン
- 磁気ヘッドクッションと腰枕
- 通気性の良いPVCレザー
- 頑丈なスチールフレーム
- 調整可能な3Dアームレスト
- 耐久性のある金属ベース

**PORTUGUÊS**

- Aparência elegante e atlética
- Malha elastomérica inovadora
- Fã integrado de 200 mm argb
- Almofada da cabeça magnética e travesseiro lombar
- Couro de PVC respirável
- Estrutura de aço resistente
- Ajuste 3D ajustável
- Base de metal durável

**簡中**

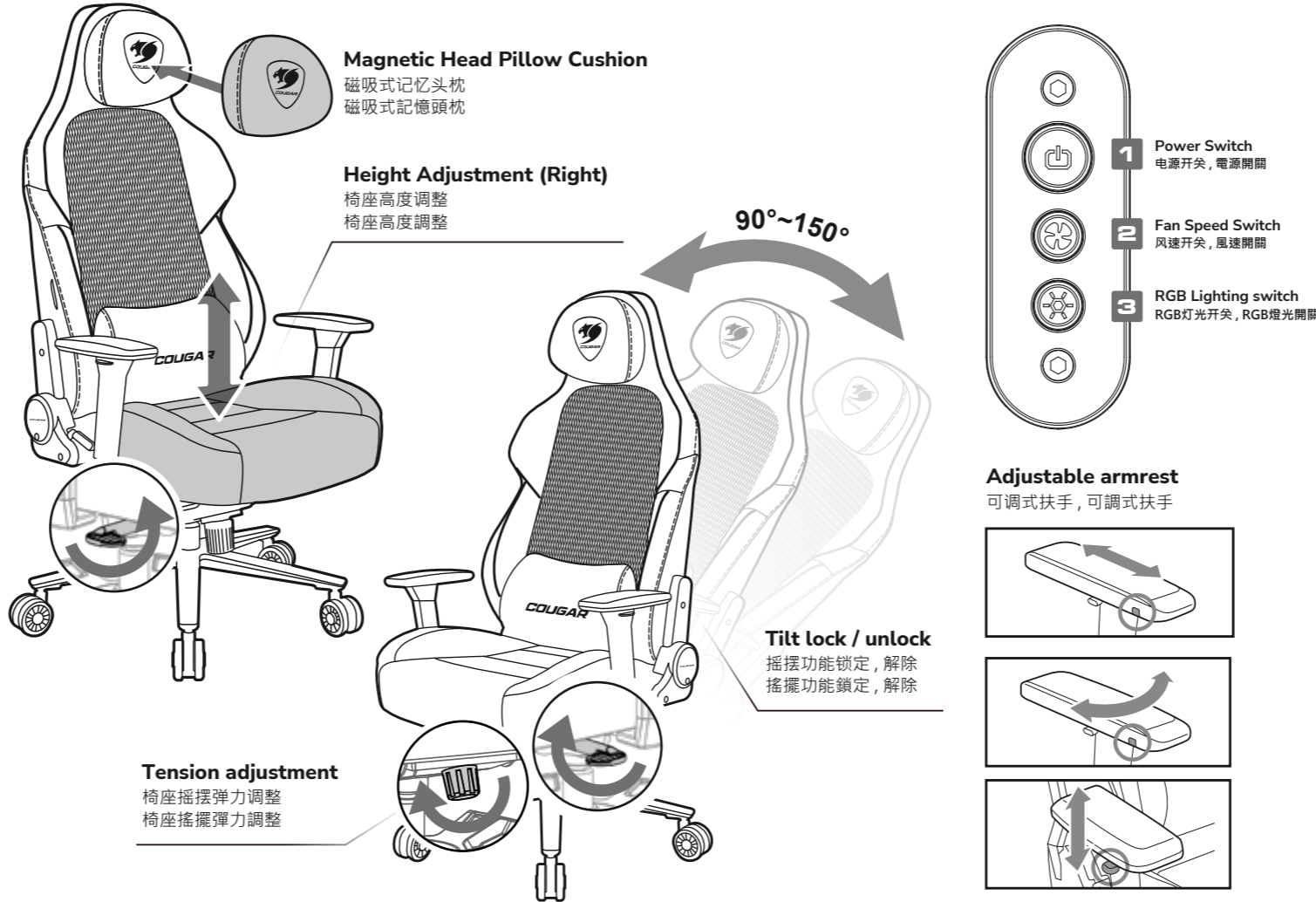
- 运动时尚风格外观设计
- 舒适高弹力透气网布椅背
- 内建可调速主动式 ARGB 散热风扇
- 磁吸式记忆头枕 & 记忆腰枕
- 透气的PVC皮革材质
- 坚固的钢管结构
- 可调式 3D 扶手
- 坚固耐用的金属椅脚

**ESPAÑOL**

- Apariencia elegante y atlética
- Malla elastomérica innovadora
- Ventilador argb de 200 mm integrado
- Cojín de cabeza magnética y almohada lumbar
- Cuero de PVC respirable
- Marco de acero resistente
- Reposabrazos 3D ajustable
- Base de metal duradera

**繁中**

- 運動時尚風格外觀設計
- 舒適高彈力透氣網布椅背
- 內建可調速主動式 ARGB 散熱風扇
- 磁吸式記憶頭枕 & 記憶腰枕
- 透氣的PVC皮革材質
- 堅固的鋼管結構
- 可調式 3D 扶手
- 堅固耐用的金屬椅腳



### CONTROLLER 控制器, 控制器

<b>1</b> Power Switch 电源开关, 電源開關	Power Turn On / Off 电源开/关, 電源開/關	
<b>2</b> Fan Speed Switch 风速开关, 風速開關	2 Levels 2段, 2段	
<b>3</b> RGB Lighting switch RGB灯光开关, RGB燈光開關	Light Effects 灯效, 燈效	<ul style="list-style-type: none"> <li>Rainbow 波浪, 波浪 (Default)</li> <li>Breathing 呼吸, 呼吸</li> <li>Color Cycle 霓虹, 霓虹</li> <li>Static Red 恒亮红, 恒亮红</li> <li>Static Yellow 恒亮黄, 恒亮黄</li> <li>Static Green 恒亮绿, 恒亮绿</li> <li>Static Blue 恒亮蓝, 恒亮蓝</li> <li>Static Yellow 恒亮黄, 恒亮黄</li> <li>Static Purple 恒亮紫, 恒亮紫</li> <li>Static Cyan 恒亮青, 恒亮青</li> </ul>
	Lighting Turn On / Off 灯光开/关, 灯光開/關	<p>Press and hold the RGB Lighting switch for 2~3 seconds, the RGB LEDs will turn on or off.</p> <p>长按RGB开关2~3秒 · RGB光源将打开或关闭 · 长按RGB開關2~3秒 · RGB光源將打開或關閉 ·</p>

### FAN SPECIFICATION 风扇规格, 風扇規格

Dimensions (WxDxH) 尺寸, 尺寸	200 x 200 x 20mm
Fan Speed 转速, 轉速	Level 1:400R.P.M±150RPM Level 2:800R.P.M±150RPM
Power Consumption 功耗, 功耗	FAN : 0.48W+10%~1.20W+10% LED : 1.4W+10%
Rated Current 额定电流, 額定電流	12V FAN : 0.04A+10%~0.10A+10% 5V LED : 0.28A+10%
Rated Voltage 额定电压, 額定電壓	DC 12V
Interface 接口, 接口	USB plug

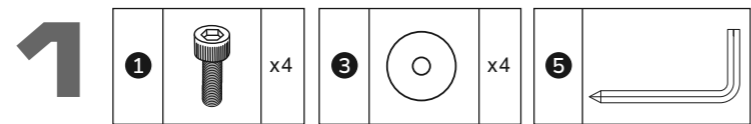
\* Power bank not included.  
\* 产品不包含充电宝 ·  
\* 產品不包含行動電源 ·

**ACCESSORY KIT 配件, 配件**

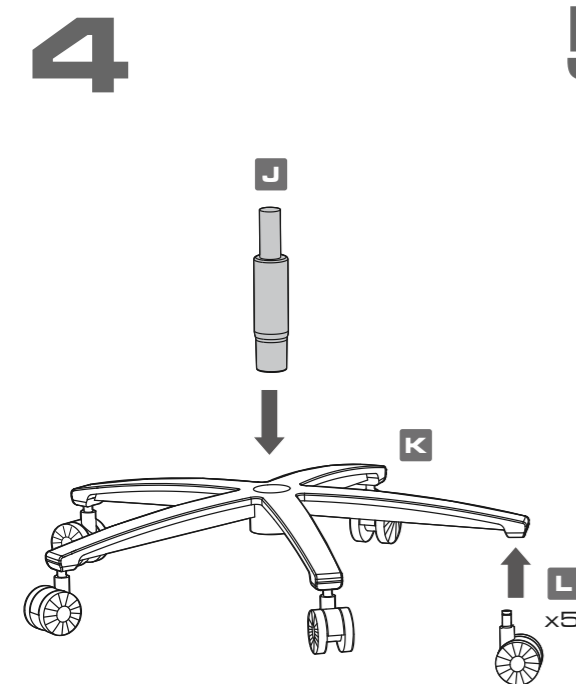
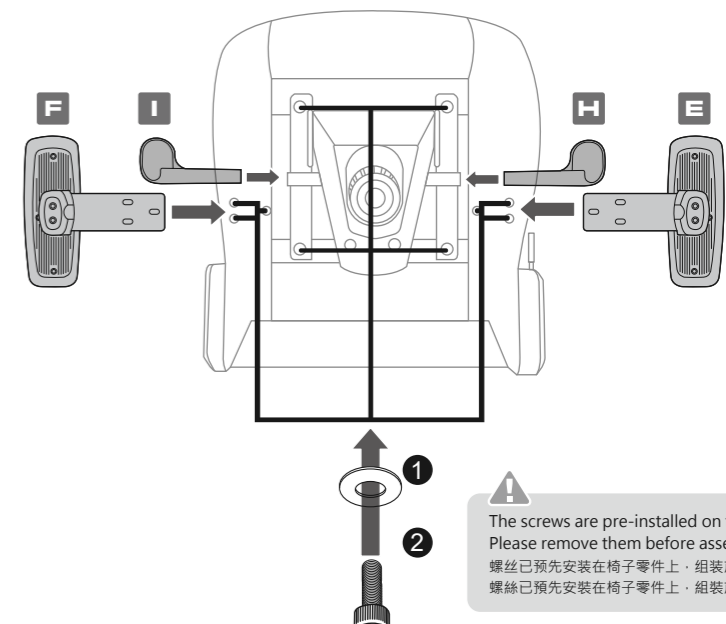
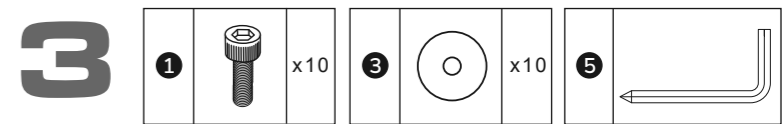
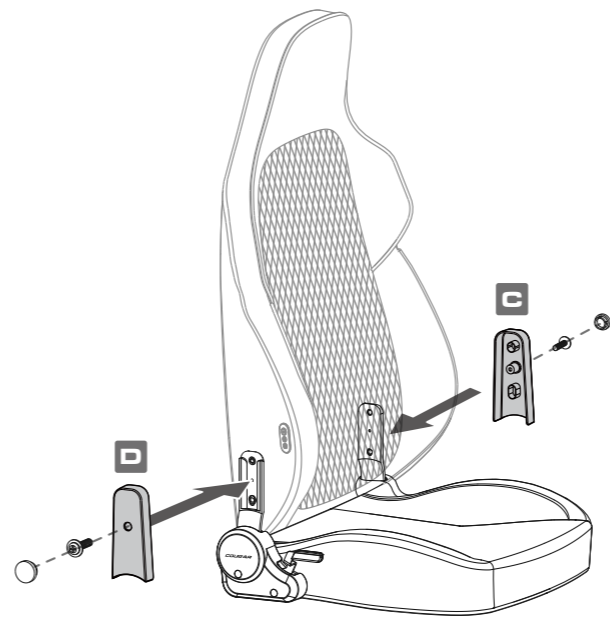
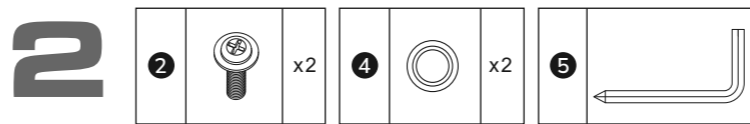
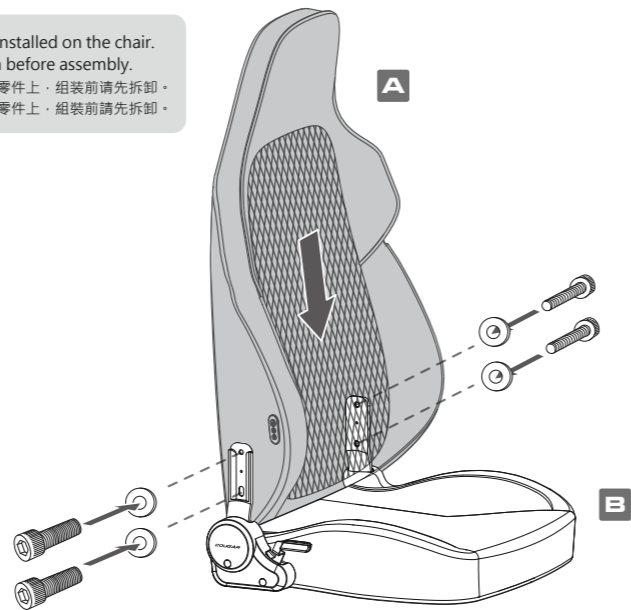
<b>1</b>	<b>2</b>	<b>3</b>
x14	x2	x14
<b>4</b>	<b>5</b>	<b>6</b>
x2	x1	x1

\*Please put on the included protective gloves before mounting the chair.  
 \*在安装椅子之前, 请戴上随附的防护手套。  
 \*在安装椅子之前, 请戴上随附的防护手套。

**ASSEMBLING INSTRUCTION 组装说明, 組裝說明**



**!**  
 The screws are pre-installed on the chair.  
 Please remove them before assembly.  
 螺絲已預先安裝在椅子零件上, 組裝前請先拆卸。  
 螺絲已預先安裝在椅子零件上, 組裝前請先拆卸。



**WARNING 安全注意事项, 安全注意事項**

**CABLE 电线, 電線**

- Before performing maintenance or moving the fan, please disconnect the USB-A plug from the power bank.
- Do not excessively twist, bend, or torque the USB-A power cord, otherwise the wire core may be exposed or broken.
- When disconnecting the USB-A power cord, do not pull on the cord itself.
- Do not use the USB-A power cord provided with this product on any other device.
- Please ensure that you exclusively use the original power cord provided with the product.
- 在进行维护作业或移动风扇之前, 请断开USB-A插头与行动电源的连接。
- 请勿过度拧扭、弯曲或扭转USB-A电源线, 否则线芯可能会暴露在外或折断。
- 断开USB-A电源线连接时, 请勿拉扯USB-A电源线。
- 请勿在任何其他装置上使用本产品所提供的USB-A电源线。
- 请确保使用产品随附之原厂电源线。

**POWER BANK 充电宝, 行動電源**

- Please note that the power bank must comply with current and voltage specifications.
- Do not use an extension cord to connect the power bank to non-mobile power devices such as PCs, power sockets, etc.
- When the power bank is not in use for a long time, please remove it.
- If the power bank is severely swollen, do not use it.
- 请注意充电宝需符合电流、电压规格。
- 请勿使用延长线连接至非充电宝装置上, 如PC、电源插座等。
- 长时间不使用充电宝时, 请将充电宝拆下。
- 若充电宝出现严重鼓胀, 请勿连接使用。

**IN USE 使用中, 使用中**

- Do not insert your fingers or any foreign objects into the mesh holes of the chair back, the holes of the chair back shell, the fan grille, or the rotating blades.
- Do not place your hair, fabric, or other items near the fan to avoid being entangled and causing danger.
- If the product produces abnormal noise, odor, high temperature, irregular rotation of the fan, or other abnormalities, please stop using it immediately.
- 不可将手指或异物插入椅背网布孔洞、椅背塑壳孔洞、风扇格栅或转动的扇叶中。
- 请勿将头发、织物等靠近风扇, 以免被卷入造成危险。
- 若产品发生异响、异味、高温、风扇不规则旋转等异常时, 请立即停止使用。

**RESTRICTIONS ON USE 使用限制, 使用限制**

**Do not use in the following situations, as it may cause electric shock, fire, personal injury, and other damage:**

- Places with high temperature, humidity, and water such as bathrooms.
- When the power cord is damaged or the power plug is loose.

**Do not perform the following operations, as it may cause electric shock, fire, personal injury, and other damage:**

- Do not let children or adults who do not understand the operation manual operate the fan product.
- Except for maintenance purposes, do not disassemble the product privately. For repair consultation, please contact COUGAR customer service.

以下情况时请勿使用, 否则会发生触电、火灾、人身伤害以及其他损害:

- 浴室等高温、潮湿、会沾水的场所。
- 电源线有损坏或电源插头松动时。

请勿进行以下操作, 否则会发生触电、火灾、人身伤害以及其他损害:

- 不可让儿童或未了解本操作手册的成人操作风扇产品。
- 除维修用途外, 私自对产品进行拆卸, 修理咨询请联系COUGAR客户服务。

**DISTRIBUTOR**



**GLOBAL WARRANTY POLICY 全球保固政策, 全球保固條款**

**WARRANTY PERIODS OF COUGAR GAMING DEVICES**

Product : COUGAR NxSys Aero GAMING CHAIR  
 Warranty : Please refer to our official website.  
 (https://cougargaming.com/us/support/warranty/)  
 保固政策: 中国地区购买, 请参考中国地区官方网站。  
 (http://cougargaming.com.cn/support/warranty/)



詳細保固條件  
 請掃描QR Code

This warranty gives you specific legal rights. You may also have other rights granted under local law. These rights may vary.

**WARRANTY AGREEMENT**

- If the product has defects in material or manufacture, COUGAR will provide product repair and replacement service within the warranty period.
- Our warranty service is based on the date of the invoice or warranty card.

**CONDITIONS WHERE FREE MAINTENANCE IS NOT PROVIDED**

- Any fault or damage caused by natural disasters (including storm, fire, flood, thunder, earthquake, etc).
- Any fault or damage caused by accidental factors and man-made reasons (including hit, scrape, crash, moving, compression, stain, corrosion, riot, misuse, malicious damage, etc).
- Use in an improper operating environment (including high temperature, high humidity, water inflow, etc).
- Inability to provide the product warranty card, purchase receipt or invoice to prove the product is still within the warranty period and the shipping date of the product is out of warranty.
- The warranty card has been altered or its number is hard to identify.
- The warranty period has expired.
- Any fault or damage caused by non-compliance with regulations stated on the user manual or improper, rough and careless treatment.
- Any fault or damage caused by use of parts not certified by COUGAR original manufacturer.

- The problem is caused by improper repair or adjustment by the buyer or any manufacturer without authorization from COUGAR.
- The product is not acquired from an authorized distributor of the company or is acquired from illicit sources.
- Paper carton, instruction and other accessories are not warranted.

**DISCLAIMERS**

- COUGAR products should not be used as critical components in life support devices.
- COUGAR is not liable for any damage of life and limb or damage or loss of property caused by or during this documentation may be used with medical equipment, military equipment, traffic equipment and disaster prevention systems.
- COUGAR's warranty liability is limited to repair or replacement. The decision on whether to repair or replace belongs exclusively to COUGAR.
- COUGAR is, to the extent not prohibited by law, not liable for any damages: expenses; lost data, revenues, savings or profits; or any incidental or consequential damages happened while the use of a defective product from COUGAR or due to its use.

**LEGAL NOTICES**

This manual was created by Compucase Enterprise and may not be completely or partially copied, passed on, distributed or stored without written consent by Compucase Enterprise.  
 COUGAR® is a registered brand of Compucase Enterprise Other product and company names mentioned in this documentation may be brands or trademarks of their respective owners.  
 Compucase Enterprise reserves the right to make changes concerning the contents of the manual and the technical data of the product without previous announcement.

**WARNING**

- To adjust the chair height, gently pull the lever up. Do not use excessive force to pull the lever.
- Please wear protective gloves when assembling the chair. It is your own responsibility to use appropriate protection to prevent any physical damage.

- When rocking the chair, using it in any other way or adjusting the height, inclination, position or balance of the chair or any of its components, please:  
 Pay attention to your hand's position and keep it away from spaces in which it could get caught or be injured.
- Do not make fast or violent movements.  
 (When the chair is in movement) do not touch any of the chair's adjustment controls to prevent affecting its stability and causing a potentially dangerous fall.  
 (When reclining the chair to its full extent) set the related control level in lock position and keep both feet on the ground, as well as abstain from any violent, rough or strong movement which could cause the chair to tip over.
- Keep in mind that this chair is designed only for sitting and reclining, and that it should be used only for those uses.
- Do not sit on the edge of the chair or the arm rests.
- Do not place the chair in a location in which it is likely to be subjected to prolonged sunlight exposure.
- The product's colors might fade when exposed to sunlight.
- Do not use abrasive products or scrub energetically when cleaning. Please stick to gentle products suitable for delicate materials.
- All parts should be checked monthly to confirm their integrity and to make sure that the screws are not loose.
- If any part of the product is or appears to be damaged, missing or loose, please contact the local distributor and do not use the product.

**ДАТА ИЗГОТОВЛЕНИЯ ПРОДУКЦИИ**

год и месяц изготовления продукции указаны в серийном номере продукта.  
 (существует 2 способа определения даты изготовления, оба способа описаны ниже)

- ① После S/N: первые две цифры означают год, вторые две – месяц изготовления.  
 Например, S/N: H1702000001 означает, что товар был произведен в феврале 2017 года.
- ② После S/N: если указаны буквы, то две буквы представляют цифры из таблицы ниже, и означают год, последующие две цифры – месяц изготовления.  
 Например, S/N: DA602REV1000001 означает, что товар был произведен в феврале 2017 года.

A	B	C	D	E	F	G	H	I	J
1	2	3	4	5	6	7	8	9	0

• Например, AG = 17 = 2017 год



**MANUFACTURER CONTACT**

制造商联系方式, 製造商聯繫方式



www.cougargaming.com    COUGAR USA Technical Service  
 Tel: (833) 256-3778  
 Mail:rma@compucaseusa.com

Compucase Enterprise Co.,Ltd.  
 All rights reserved. Made in China



Official website