



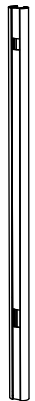
Medical Rolling Cart with Basket, Storage Box and Handle Accessories

PAD-MEDRCBB

INSTRUCTION - MANUAL

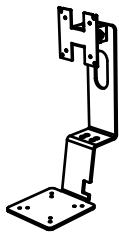
CONTENTS:

(A)



x1

(B)



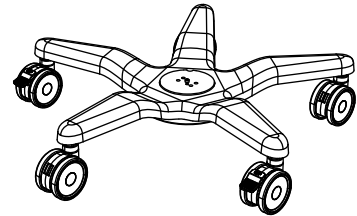
x1

(C)

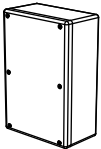


x1

(D)



(E)



(G)



(G)



x4

M5x25

(H)



x4

M4x8

(I)



x4

M5x8

(J)



x 8

M4x10

(K)



x 8

M4 Nut

(L)



x1

3#ALLEN KEY

(M)

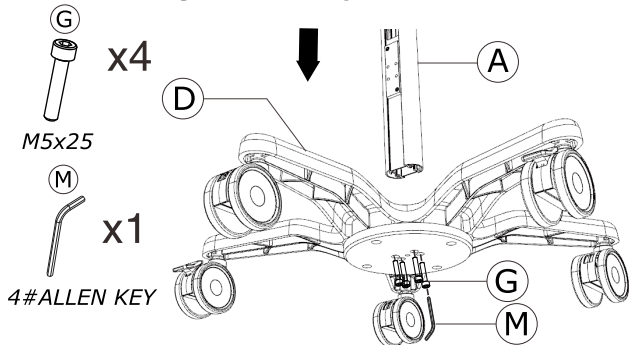


x1

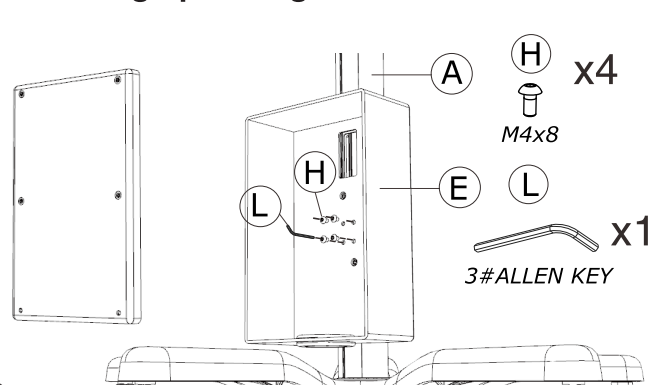
4#ALLEN KEY

INSTALLATION:

1. Mounting Pole Body to Base



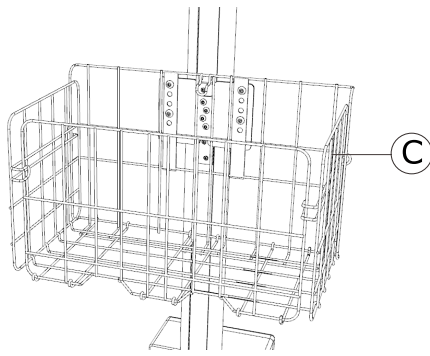
2. Setting up Storage Box for Power



1A - Start by aligning the mounting holes on the bottom of the pole body (A) to the mounting holes in the center of the base (D). Rotate in four screws (G) from below the base using provided tool (M) until securely tightened as illustrated above.

2A - Align the mounting holes of the storage box (E) to the mounting holes of the mounting plate near the bottom of the pole body (A). From the front, as shown above, rotate in four screws (H) using provided tool (L) until securely tightened at each mounting point. Place storage box cover on afterwards.

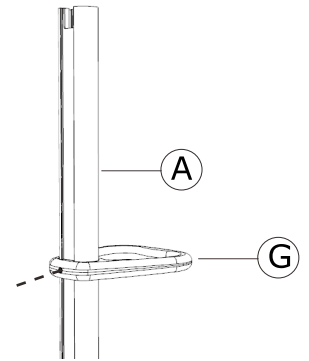
3. Attaching Storage Basket



3A - Take the basket component (C) and slide the basket from the top of the pole onto the body (A) until desired location. Lock all three integral headless screws on the slider of the basket using an allen key tool.

4. Attaching Handle

4A - Slide the handle (G) from the top of the pole onto the body (A) until desired location. Lock the headless screw from behind until securely tightened using provided allen key tool.



5. Mounting Top VESA Component to Pole Body



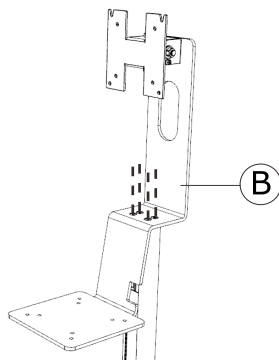
x4

M5x20



x1

4#ALLEN KEY



5A - Take the top VESA component of the medical cart (B) and align the horizontal mounting plate with the top of the pole body (A). Rotate in four integral screws until securely tightened using provided tool (M).

6. When Attaching Device to VESA Plate



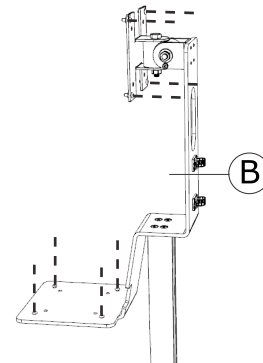
x 8

M4x10



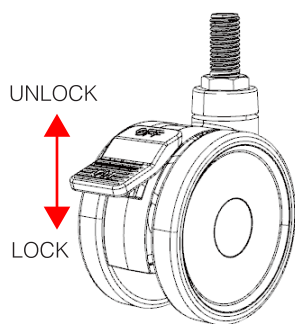
x 8

M4 Nut



6A - When attaching a VESA compatible device to either VESA mount location, first align the VESA holes of device to mounting plate. Rotate in screws (J) from behind using allen key tool until securely tightened. If device or vesa compatible component has threaded holes, no need for hex nuts. If it isn't threaded holes, then the hex nut will be required on the other side.

7. Locking and Unlocking Wheel Casters



7A - Two of the base casters have brakes included. When wanting the cart to be stationary, press the wheel brake lever downward to lock. When wanting the cart to be mobile, pull the lever up.

**Floorstand Disclaimers and Notes

This cart is for indoor use only;

The maximum load-bearing capacity of this cart is 15KG, please do not use it with overload to avoid damage to the equipment;

Please make sure the casters are all unlocked and avoid all cables before moving;

Please be especially careful when moving the cart over long distances or on slopes to avoid personal injury;

Please move the cart slowly and carefully to avoid damage to the equipment, and lock the casters when you reach your destination.